

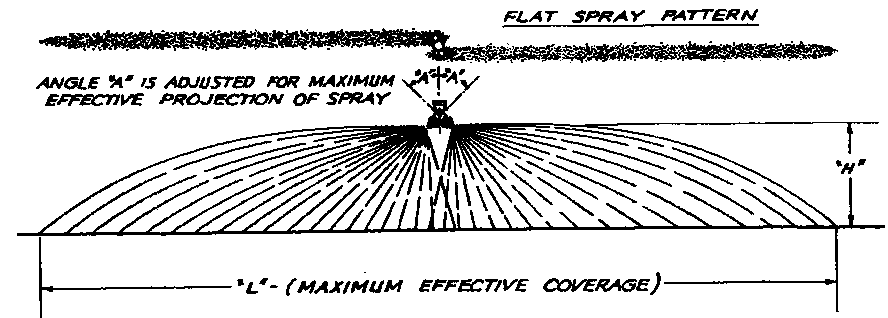
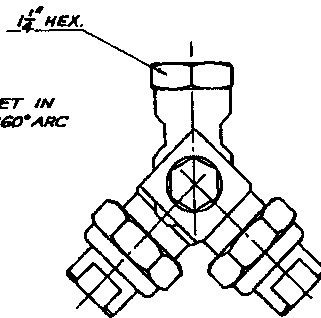
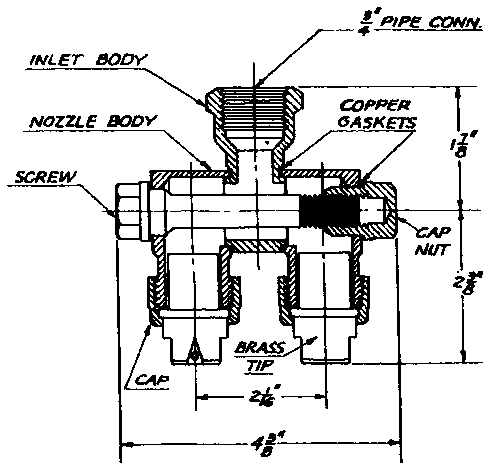
NOZZLE NO.	LIQUID PRESSURE IN PSI.	CAPACITY IN G.P.M.	SPRAYING HEIGHT "H"=24"			SPRAYING HEIGHT "H"=36"				
			"L" IN FEET	GALLONS PER ACRE			"L" IN FEET	GALLONS PER ACRE		
				3 M.P.H.	4 M.P.H.	5 M.P.H.		3 M.P.H.	4 M.P.H.	5 M.P.H.
4418- $\frac{3}{4}$ -2T OC10	10	1.0	6	27.5	20.6	16.5	8	20.6	15.5	12.4
	15	1.2	9	22.5	16.8	13.5	11	18.4	13.8	11.0
	20	1.4	11	20.9	15.9	12.7	13	17.9	13.5	10.9
	30	1.7	13	21.9	16.5	13.1	15	19.0	14.3	11.5
	40	2.0	15	22.1	16.6	13.2	17	19.4	14.6	11.7
60	2.4	16	25.2	19.1	15.2	18	22.5	16.9	13.5	
4418- $\frac{3}{4}$ -2T OC20	10	2.0	8	41.3	30.9	24.8	12	27.5	20.6	16.5
	15	2.5	10	40.6	30.4	24.4	14	29.0	21.8	17.4
	20	2.8	12	38.7	29.0	23.2	16	29.0	21.8	17.4
	30	3.5	16	36.1	27.1	21.7	18	31.8	23.8	19.1
	40	4.0	18	36.6	25.5	22.0	20	33.0	24.7	19.8
60	4.9	20	40.5	30.4	24.3	24	33.7	25.3	20.2	
4418- $\frac{3}{4}$ -2T OC40	10	4.0	10	65.9	49.5	39.6	14	47.1	35.3	28.2
	15	5.0	14	57.7	43.3	34.6	18	44.9	33.6	27.0
	20	5.6	16	58.5	43.8	35.1	20	46.7	35.0	28.0
	30	7.0	18	63.3	47.4	38.0	24	47.4	35.6	28.4
	40	8.0	20	66.0	49.5	39.6	26	50.8	38.1	30.5
60	9.8	22	73.4	55.1	44.1	28	57.8	43.3	34.7	
4418- $\frac{3}{4}$ -2T OC80	10	8.0	12	110.0	82.6	66.0	14	94.2	70.7	56.6
	15	10.0	14	115.4	86.6	69.2	18	90.0	67.5	54.0
	20	11.2	16	116.2	87.2	69.8	20	93.0	69.7	55.8
	30	14.0	20	114.0	85.5	68.5	24	95.2	71.3	57.1
	40	16.0	22	120.0	90.0	72.0	26	101.5	76.2	61.0
60	19.6	24	134.5	101.0	80.8	30	107.8	80.8	64.6	

NOZZLE NO.	LIQUID PRESSURE IN PSI.	CAPACITY IN G.P.M.	SPRAYING HEIGHT "H"=48"			SPRAYING HEIGHT "H"=60"				
			"L" IN FEET	GALLONS PER ACRE			"L" IN FEET	GALLONS PER ACRE		
				3 M.P.H.	4 M.P.H.	5 M.P.H.		3 M.P.H.	4 M.P.H.	5 M.P.H.
4418- $\frac{3}{4}$ -2T OC10	10	1.0	10	16.5	12.4	9.9	12	13.8	10.3	8.3
	15	1.2	13	15.7	11.8	9.5	15	13.5	10.2	8.1
	20	1.4	15	15.6	11.7	9.4	17	13.7	10.3	8.3
	30	1.7	17	16.8	12.6	10.1	19	15.7	11.3	9.1
	40	2.0	19	17.4	13.1	10.4	21	15.7	11.8	9.4
60	2.4	20	20.3	15.2	12.1	22	18.4	13.8	11.1	
4418- $\frac{3}{4}$ -2T OC20	10	2.0	14	23.6	17.6	14.1	16	20.6	15.5	12.4
	15	2.5	16	25.2	18.9	15.1	18	22.4	16.8	13.4
	20	2.8	18	26.0	19.5	15.6	20	23.3	17.5	14.0
	30	3.5	20	23.6	21.4	17.1	22	26.0	19.5	15.6
	40	4.0	22	30.0	22.5	18.0	24	27.5	20.6	16.5
60	4.9	26	31.1	23.3	18.6	28	29.8	21.6	17.3	
4418- $\frac{3}{4}$ -2T OC40	10	4.0	16	41.3	31.0	24.8	18	36.6	27.5	22.0
	15	5.0	20	40.4	30.3	24.2	22	36.7	27.6	22.0
	20	5.6	22	42.5	31.9	25.5	24	38.9	29.2	23.3
	30	7.0	26	44.0	33.0	26.4	28	40.8	30.6	24.5
	40	8.0	28	47.2	35.4	28.3	30	44.0	33.0	26.4
60	9.8	32	50.5	37.9	30.3	34	47.5	35.7	28.5	
4418- $\frac{3}{4}$ -2T OC80	10	8.0	18	73.2	54.9	44.0	22	60.0	45.0	36.0
	15	10.0	20	75.5	55.2	44.2	26	62.2	46.7	37.3
	20	11.2	24	77.6	58.2	46.6	28	66.6	50.0	40.0
	30	14.0	28	81.5	61.1	48.9	32	71.3	53.5	42.8
	40	16.0	30	88.0	66.0	52.8	34	77.5	58.1	46.6
60	19.6	32	101.0	75.7	60.6	36	89.5	67.3	53.8	

TABULATIONS ARE BASED ON WATER AT TEMPERATURE OF 70°F.

PATENT NO. 2,619,388  
OTHER PATENTS PENDING

NOZZLES CAN BE SET IN ANY POSITION ON A 360° ARC



DESCRIPTION:  
4418 - 3/4 - 2T OC---  
BOOMJET NOZZLE



**Spraying Systems Co.**<sup>®</sup>

Spray Nozzles and Accessories  
P.O. Box 7900 - Wheaton, Ill. 60189-7900

Rev. No.

Data Sheet No.

4980

Ref.

SHEET OF