

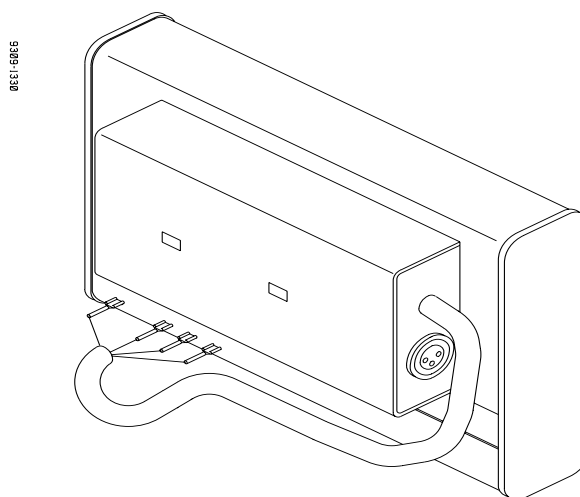
INSTRUCTIONS

FOR

FENDT-INTERFACE

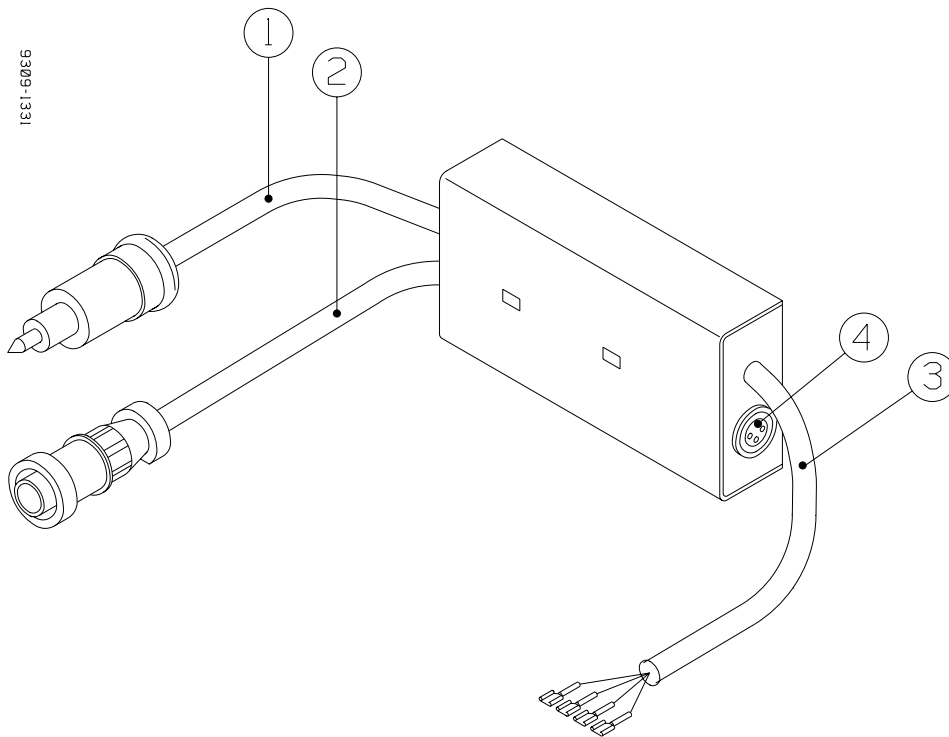
The interface transforms the signals from the built-in sensors of the tractor into the type of signals that **LH AGRO**'s monitors are built to function with.

If you want to be able to use the monitor and interface on two or several Fendt-tractors, just mount the interface on the rear side of the monitor.



LH Technologies Denmark ApS
Mølhavevej 2
9440 Aabybro
Denmark
Tel. +45 9696 2500
Fax. +45 9696 2501
Internet: www.lh-agro.com

The interface can be mounted without using any tools. The box is mounted with velcro tape and all connections are fitted with plugs.



PLUGS:

- 1: Power-connection. **+12 Volt** (blue wire) on center pin.
- 2: Signal-plug. Connect to the signal socket of the tractor.

PIN	FUNCTION	WIRE COLOR
1	Speed signal from gear box	Black
2	Speed signal from radar	Blue
3	0 Volt (Ground)	Brown
4	Area counting on/off from lift	Beige

- 3: Monitor-cable. Each wire is provided with a number which corresponds to the numbers of the plugs on the rear of the monitor.
- 4: Socket for connection of an external area counting on/off sensor.


PIN	FUNCTION
1	Signal
2	+ 12 Volt (output for sensor)
3	0 Volt

SWITCH 1: EXT.  

This switch changes between stop of area counting by the lift or by an external sensor (see plug 4 above).

EXT.   Signal from external sensor.

EXT.   Signal from lift.

SWITCH 2:   

This switch chooses which speed sensor is to be used.

   Signal from gear box (wheel).

   Signal from radar (if mounted).

The interface will fit on all Fendt tractors listed below:

FENDT FAVORIT

TYPE	from chassis No.
<hr/>	
Fendt Favorit 611 LSA	382../2559
Fendt Favorit 612 LSA	383../2640
Fendt Favorit 614 LSA	384../2308
Fendt Favorit 615 LSA	385../2248

FENDT FARMER

TYPE	from chassis No.
<hr/>	
Fendt Farmer 306 LS/LSA	168../13001
Fendt Farmer 307 LS/LSA	175../801
Fendt Farmer 308 LS/LSA	178../14101
Fendt Farmer 309 LS/LSA	186../14601
Fendt Farmer 310 LS/LSA	192../3401
Fendt Farmer 311 LS/LSA	198../7701
Fendt Farmer 312 LS/LSA	199../3501

FENDT GT

TYPE	from chassis No.
<hr/>	
Fendt 390 GTA	390../001
Fendt 395 GTA	395../001