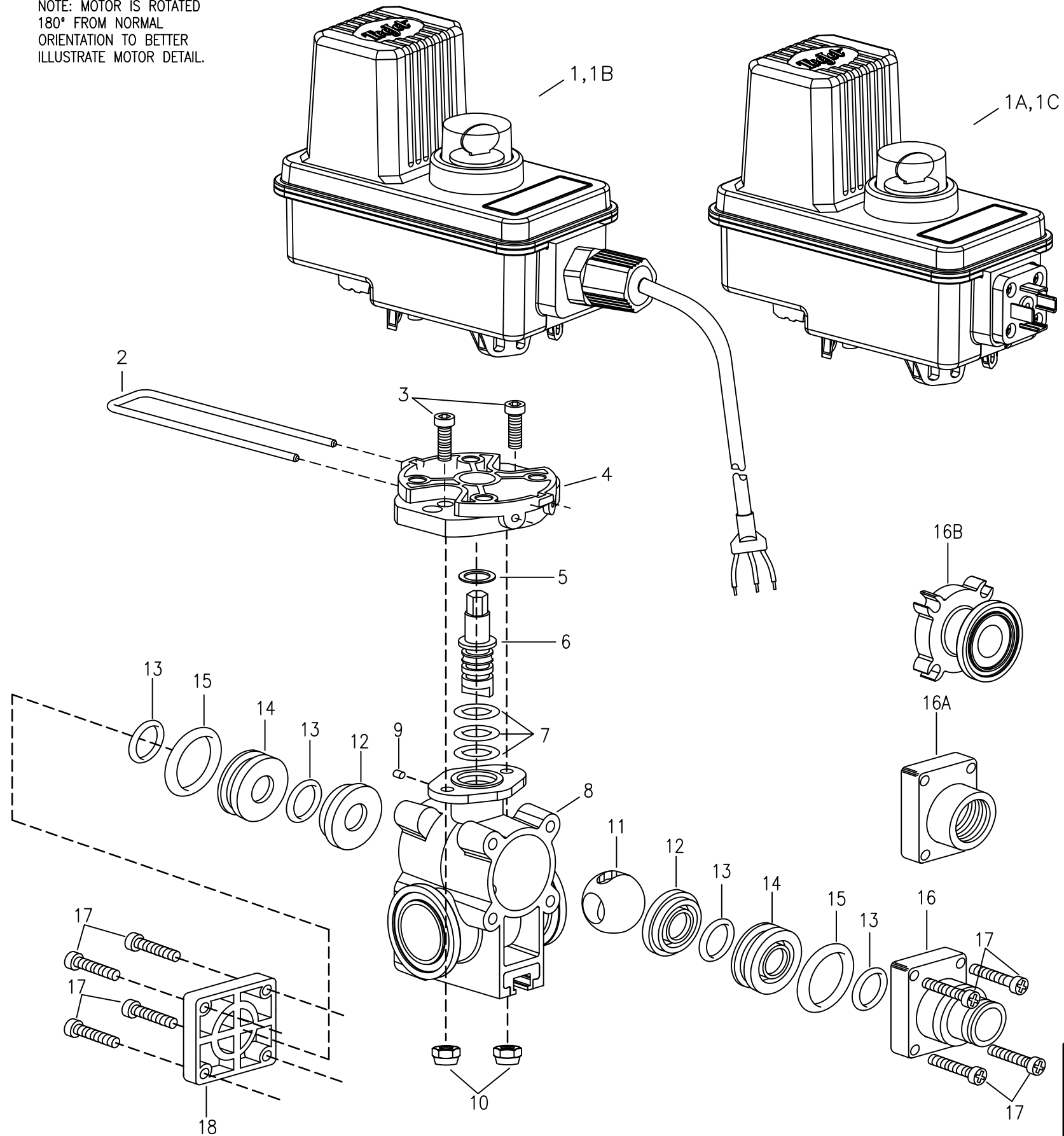


NOTE: MOTOR IS ROTATED
180° FROM NORMAL
ORIENTATION TO BETTER
ILLUSTRATE MOTOR DETAIL.



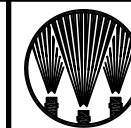
ITEM	SALES PART NO.	DESCRIPTION	
1	50515-22CP03 ■	BEC MOTOR, 22-RPM (0.7-SEC), 0.3-METER CABLE, POSITIVELY SWITCHED	
	50515-22CP05 ■	BEC MOTOR, 22-RPM (0.7-SEC), 0.5-METER CABLE, POSITIVELY SWITCHED	
	50515-22CP15 ■	BEC MOTOR, 22-RPM (0.7-SEC), 1.5-METER CABLE, POSITIVELY SWITCHED	
	50515-22CP60 ■	BEC MOTOR, 22-RPM (0.7-SEC), 6.0-METER CABLE, POSITIVELY SWITCHED	
1A	50515-22DP ■	BEC MOTOR, 22-RPM (0.7-SEC), DIN CONNECTION, POSITIVELY SWITCHED	
1B	50533-22C03	BE MOTOR, 22-RPM (0.7-SEC), 0.3-METER CABLE	
	50533-22C05	BE MOTOR, 22-RPM (0.7-SEC), 0.5-METER CABLE	
	50533-22C15	BE MOTOR, 22-RPM (0.7-SEC), 1.5-METER CABLE	
	50533-22C60	BE MOTOR, 22-RPM (0.7-SEC), 6.0-METER CABLE	
1C	50533-22D	BE MOTOR, 22-RPM (0.7-SEC), DIN CONNECTION	
2	CP50517-SSPV	RETAINING CLIP, 304 STAINLESS STEEL	
3	CP26197-7/8-SS	SOCKET HEAD CAP SCREW, STAINLESS STEEL (2 REQ'D)	
4	CP50514-PP	MOTOR ADAPTER, POLYPROPYLENE (BLACK)	
*	5	CP20125-TEF	THRUST WASHER, TEFLON
6	CP56614-SS	STEM, 303 STAINLESS STEEL	
*	7	CP7717-M12X2.5-VI	O-RING, VITON (3 REQ'D)
8	CP45503-NYB	BODY, NYLON (INCLUDES MOUNTING RAIL)	
*	9	CP20126-FELT	DUST PLUG, FELT
10	CP38435-1/4-SSNY	ELASTIC LOCKNUT, STAINLESS STEEL (2 REQ'D)	
11	CP45510-1-SS	BALL, 303 STAINLESS STEEL	
*	12	CP20103-TEF	SEAL, TEFLON (2 REQ'D)
*	13	CP7717-2-213-VI	O-RING, VITON (4 REQ'D)
14	CP45502-NYB	BALL SEAL SPACER, NYLON (BLACK) (2 REQ'D)	
*	15	CP7717-2-322-VI	O-RING, VITON (2 REQ'D)
16	CP45514-NYB	ENDCAP, NYLON (BLACK) (QUICK CONNECT)	
16A	CP20104-3/4-NYB	ENDCAP, NYLON (BLACK) (3/4" NPT THREAD)	
	CPB20104-3/4-NYB	ENDCAP, NYLON (BLACK) (3/4" BSPT THREAD)	
	CP20104-1-NYB	ENDCAP, NYLON (BLACK) (1" NPT THREAD)	
	CPB20104-1-NYB	ENDCAP, NYLON (BLACK) (1" BSPT THREAD)	
16B	CP45253-NYB	ENDCAP, NYLON (BLACK) (50-SERIES FLANGED)	
17	CP45517-1-1/8-SS	PAN HEAD SCREW, STAINLESS STEEL (8 REQ'D)	
18	CP45518-NYB	REAR COVER, NYLON (BLACK)	
	56611-2-_-_-	VALVE BODY SUB-ASS'Y, SPECIFY OUTLET SIZE & BALL MATERIAL (3-19)	

AB460B-KIT, SPARE PARTS KIT (INCLUDES ALL ITEMS MARKED WITH *)

NOTE: (B) IN PART NUMBER INDICATES B.S.P.T INLET AND OUTLET CONNECTIONS
 ■ NOTE: FOR NEGATIVELY SWITCHED MOTORS SPECIFY "N" RATHER THAN "P" IN MOTOR PART NUMBER. EXAMPLE: 50515-22CN05

TEFLON® IS A TRADEMARK OF DUPONT COMPANY
 VITON® IS A TRADEMARK OF DUPONT DOW ELASTOMERS

DESCRIPTION:
 460BEC 2-WAY
 DIRECTOVALVE®
 ELECTRIC SHUT-OFF
 BALL VALVE MANIFOLD



Spraying Systems Co.®

Spray Nozzles and Accessories
 P.O. Box 7900 - Wheaton, IL 60189-7900

Rev. No. 2

Ref.

PARTS LIST
 PL460BEC
 SHEET OF