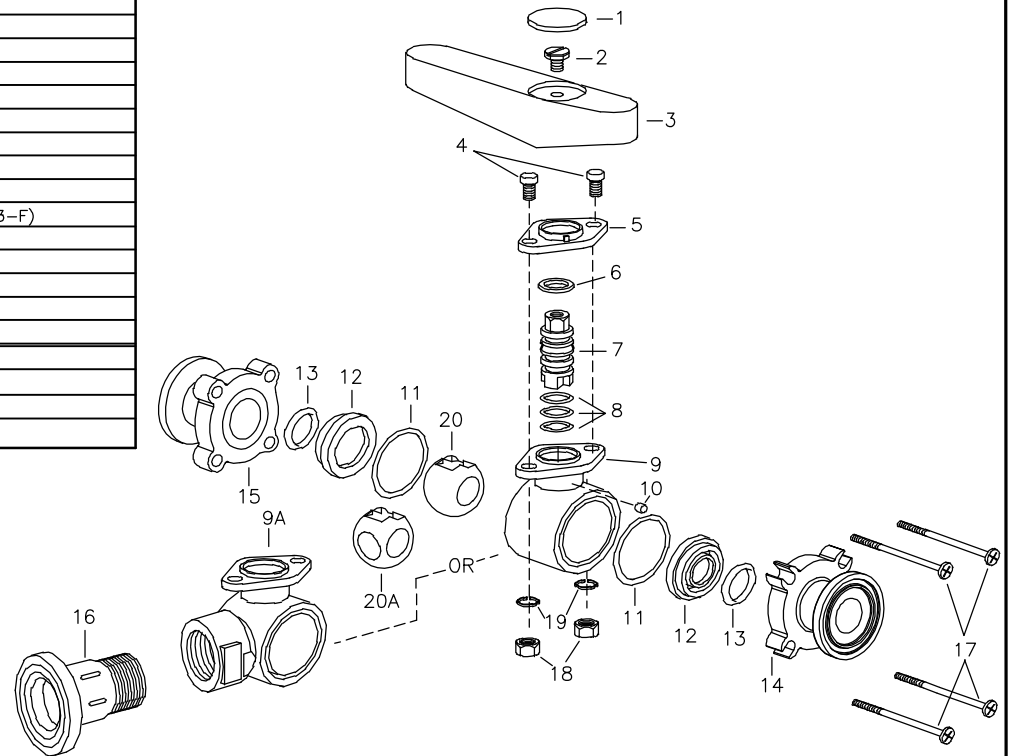


ITEM	PART NO.	DESCRIPTION	
1	CP20131-EPR	Handle Plug, EPR Rubber	
2	CP20123-3/4-430SS	Slotted Hex. Washer Screw, Type 430 Stainless Steel	
3	CP20116-PP	Handle, Polypropylene (Gray)	
4	CP20127-SS	Self Clinching Stud, Stainless Steel (2 Req'd)	
5	CP20117-NYB	Mounting Plate, Nylon (Black)	
*	6	CP20125-TEF	Thrust Washer, Teflon
*	7	CP26251-NYB	Ball Valve Stem, Nylon (Black)
*	8	CP7717-M12X2.5-VI	O'Ring, Viton (3 req'd)
9	CP20101-NYB	Body, Nylon (Black) (For #AA344M-2-F)	
9A	CP20102-1-NYB	Body, Nylon (Black) (For #AA344M-3-F) (NPT)	
*	10	CP20126-FELT	Dust Plug, Dense Felt
*	11	CP20564-VI	Gasket, Viton (2 Req'd)
*	12	CP20103-TEF	Seal, Teflon (2 Req'd)
*	13	CP7717-2/213-VI	O'Ring, Viton (2 Req'd)
14	CP45253-NYB	#50 Flanged End Cap, Nylon (Black)	
15	CP48265-NYB	#50 Flanged End Cap, Nylon (Black)	
16	CP48155-PP	1" NPT to #50 Flanged End Cap, Polypropylene (Black) (For #AA344M-3-F)	
17	CP45252-2-3/4-SSPV	Pan Head Screw, Stainless Steel (4 Req'd)	
18	CP8535-SS	Hex Nut, Stainless Steel (2 Req'd)	
19	CP20128-SS	Lock Washer, Stainless Steel (2 Req'd)	
20	CP20106-PP	Ball, Polypropylene (White) (2-Way)	
20A	CP20109-PP	Ball, Polypropylene (White) (3-Way)	
AB344-2-KIT, Spare Parts Kit (Includes all items marked with * and item #20)			
AB344-3-KIT, Spare Parts Kit (Includes all items marked with * and item #20A)			
AA344M-2-F, Two-Way Manual Control Flanged Ball Valve			
AA344M-3-F, Three-Way Manual Control Flanged Ball Valve			



DESCRIPTION:
AA344M-2-F & AA344M-3-F
2- & 3-WAY MANUAL CONTROL
FLANGED BALL VALVE



Spraying Systems Co.
Spray Nozzles and Accessories
P.O. Box 7900 - Wheaton, Il. 60189-7900

Rev. No. 1

Ref.

Parts List No.
PL 344M-F
SHEET OF