

BOOMPILOT® INSTALLATION MANUAL

Automatic boom section control installation manual
for use with TeeJet 834 , TeeJet 844 and TeeJet 854 Controllers
w/Matrix® Pro



TeeJet®
TECHNOLOGIES

BoomPilot®

A Subsidiary of  Spraying Systems Co.®

Copyrights

© 2013 TeeJet Technologies. All rights reserved. No part of this document or the computer programs described in it may be reproduced, copied, photocopied, translated, or reduced in any form or by any means, electronic or machine readable, recording or otherwise, without prior written consent from TeeJet Technologies.

Trademarks

Unless otherwise noted, all other brand or product names are trademarks or registered trademarks of their respective companies or organizations.

Limitation of liability

TEEJET TECHNOLOGIES PROVIDES THIS MATERIAL "AS IS" WITHOUT WARRANTY OF ANY KIND, EITHER EXPRESSED OR IMPLIED. NO COPYRIGHT LIABILITY OR PATENT IS ASSUMED. IN NO EVENT SHALL TEEJET TECHNOLOGIES BE LIABLE FOR ANY LOSS OF BUSINESS, LOSS OF PROFIT, LOSS OF USE OR DATA, INTERRUPTION OF BUSINESS, OR FOR INDIRECT, SPECIAL, INCIDENTAL, OR CONSEQUENTIAL DAMAGES OF ANY KIND, EVEN IF TEEJET TECHNOLOGIES HAS BEEN ADVISED OF SUCH DAMAGES ARISING FROM TEEJET TECHNOLOGIES SOFTWARE.



Safety information

TeeJet Technologies is not responsible for damage or physical harm caused by failure to adhere to the following safety requirements.

As the operator of the vehicle, you are responsible for its safe operation.

The BoomPilot is not designed to replace the vehicle's operator.

Do not leave a vehicle while the BoomPilot is engaged.

Be sure that the area around the vehicle is clear of people and obstacles before and during engagement.

The BoomPilot is designed to support and improve efficiency while working in the field. The driver has full responsibility for the quality and work related results.

Disengage BoomPilot before operating on public roads or when not in use to prevent loss of vehicle control.

Table of Contents

REQUIRED COMPONENTS	2
PRINCIPLE OF OPERATION	3
INSTALLATION	4
1. LOCATE THE CONNECTION POINT FOR THE SDM HARNESS	4
2. MOUNT & CONNECT SDM.....	4
3. DISCONNECT & RECONNECT HARNESSES & CABLES	5
4. CONNECT POWER/CAN/DATA CABLE TO BOOMPILOT HARNESS	5
5. INDEPENDENT OR FOLLOWING MASTER	6
6. RECOMMENDED ELECTRONICS INSTALLATION	6
7. COMPLETE ELECTRONIC INSTALLATION	6
SYSTEM CHECK	7
Check AUTOMATIC mode:	7
<i>TJ834/TJ844/TJ854:</i>	7
<i>Matrix Pro:</i>	7
Check MANUAL mode:.....	7
<i>TJ834/TJ844/TJ854:</i>	7
<i>Matrix Pro:</i>	7

REQUIRED COMPONENTS

Unpack the installation kit and identify the required parts.

Item	Part number	Description	Quantity
A	90-xxxx*	Matrix Pro Guidance Controller Kit	1
B	45-05845	Power/CAN/Data Cable	1
C	198-410	BoomPilot Harness, TJ844 (9 sections + master)	1
D	78-05072	BoomPilot Section Driver Module (SDM).....	1
E	020-038	Installation Manual, TJ834/TJ844/TJ854 Controllers.....	1
F	98-05243	Matrix Pro BoomPilot Setup Guide	1

*Part number is dependent on kit contents

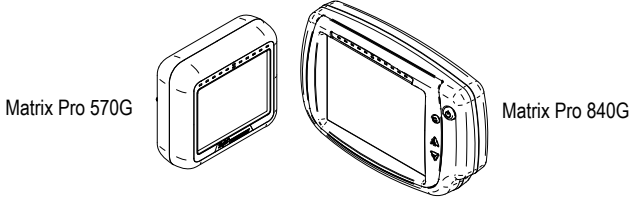
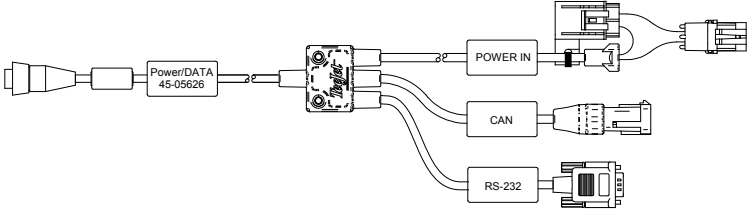
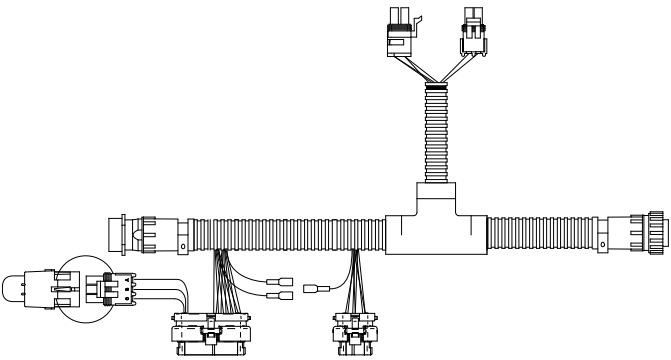
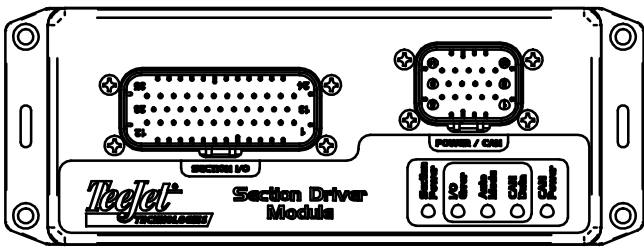
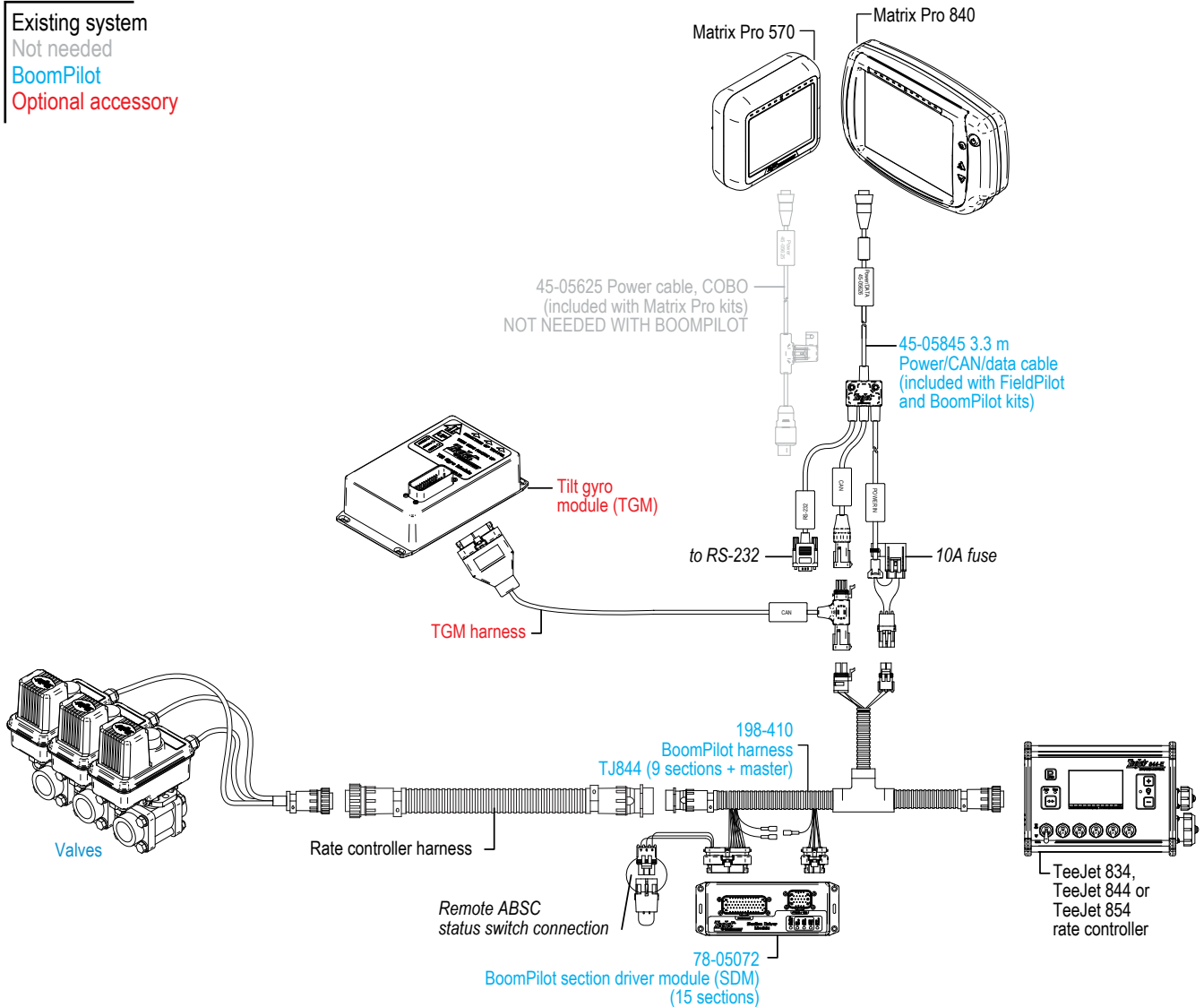
Item	Part number	Description	Illustration
A	Part number is dependent on kit contents	Matrix Pro Guidance Controller Kit	 <p>Matrix Pro 570G</p> <p>Matrix Pro 840G</p>
B	45-05845	Power/CAN/Data Cable	 <p>Power/DATA 45-05626</p> <p>POWER IN</p> <p>CAN</p> <p>RS-232</p>
C	198-410	BoomPilot Harness, TJ844 (9 sections + master)	
D	78-05072	BoomPilot Section Driver Module (SDM)	 <p>TeegJet Section Driver Module</p> <p>POWER / CAN</p>
E	020-038	Installation Manual, TJ834/TJ844/TJ854 Controllers	
F	98-05243	Matrix Pro BoomPilot Setup Guide	

Figure 1: System diagram



PRINCIPLE OF OPERATION

The BoomPilot system controls the sections valves according to the GPS position. The GPS makes it possible to avoid overlaps or skips.

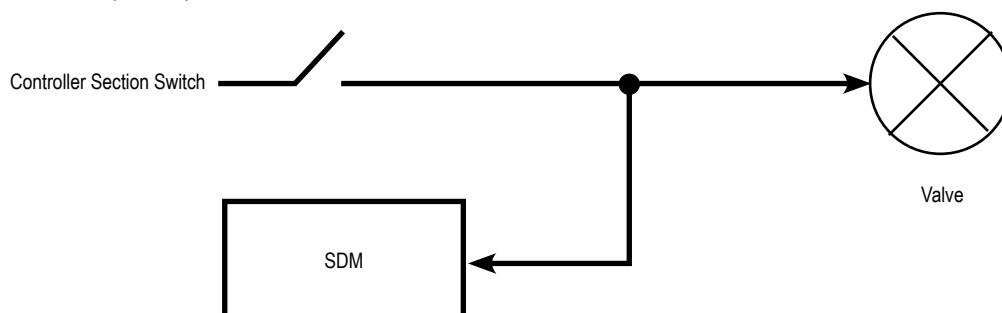
The Section Driver Module (SDM) is designed for switching active high when spraying. This means that a 12V signal is issued to control the corresponding section valve.

The SDM is connected in parallel with the controller section switches.

The BoomPilot controls the section valves in automatic mode, and the controller section switches should be set to off unless the operator wants to override the auto mode and thus force spraying.

The BoomPilot monitors the controller section switches that controls the valves in manual mode. The the Master switch can be used both in automatic mode as well as in manual mode.

Figure 2: Principle of operation



INSTALLATION



If there are questions concerning the installation of the BoomPilot system on this vehicle, or due to the changes in component specifications the parts supplied in the kit are not exactly as presented in this document, please contact your dealer or TeeJet Customer service representative for clarification before installation. TeeJet Technologies is not responsible for misuse or incorrect installation of the system.

NOTE: All references to left and right are stated as if the user is seated in the driver's seat.

NOTE: BE VERY CAREFUL TO ABSOLUTELY SECURE ALL CABLES AND HOSES SO THAT THEY DON'T INTERFERE WITH THE MANY MOVING PARTS OF THE MACHINE!

1. LOCATE THE CONNECTION POINT FOR THE SDM HARNESS

Locate the existing system's flow control harness as it routes to the back of the TJ834, TJ844 or TJ854 console.

2. MOUNT & CONNECT SDM

1. Mount SDM **(C)** where LED's can be seen for troubleshooting.
2. Connect SDM **(C)** to BoomPilot harness **(B)**.

Figure 3: Connect SDM

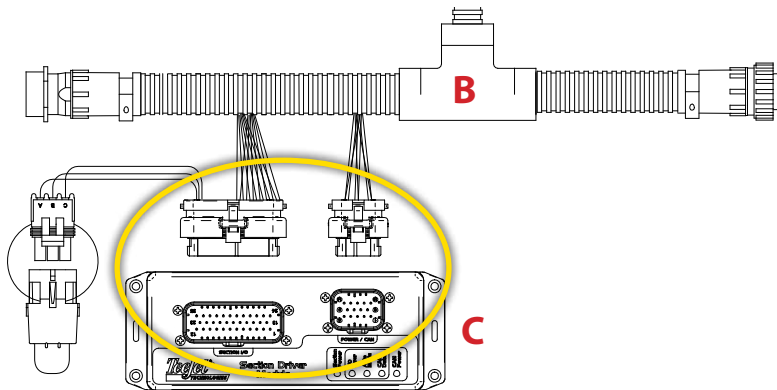
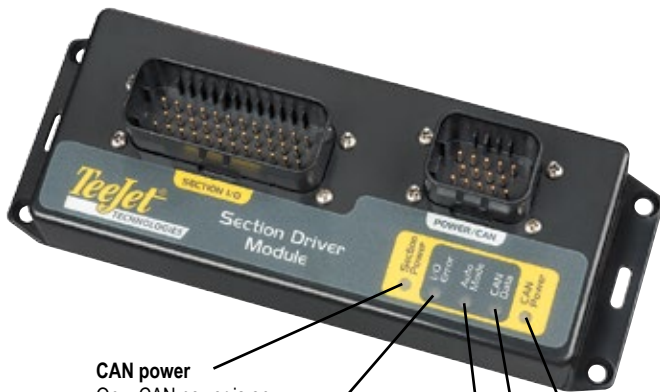


Figure 4: LED description



CAN power

On – CAN power is on
Off – CAN power is off

CAN data

Blinking – receiving console CAN messages
Off – CAN messages stop for > 3 seconds

Section power

On – boom section power is on
Off – boom section power is off

In/out error

Off – boom output is high or on
Blinking – boom output is low or off

Auto mode

On – auto mode is active
Off – manual mode is active

3. DISCONNECT & RECONNECT HARNESES & CABLES

The BoomPilot SDM harness (B) tees into the existing system's connection between the rate controller and rate controller harness.

1. Disconnect existing connection at the side of the TJ834/TJ844/TJ854 console.
2. Connect BoomPilot harness (B) to rate controller.
3. Connect BoomPilot harness (B) to existing rate controller harness.

Figure 5: Disconnect existing connection



Figure 6: BoomPilot harness to flow control harness



BoomPilot harness to controller

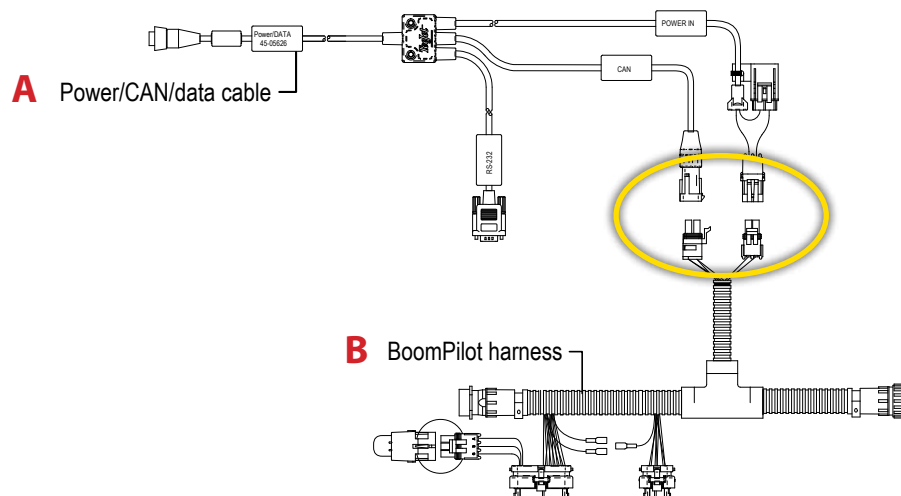


4. CONNECT POWER/CAN/DATA CABLE TO BOOMPILOT HARNESS

Connect Power/CAN/Data cable (A) to BoomPilot harness (B).

NOTE: The Matrix Pro is powered by the TJ 834/844/854 main cable and therefore no additional power connection is required.

Figure 7: Connect power/can/data cable to BoomPilot harness



5. INDEPENDENT OR FOLLOWING MASTER

The Master valve can be driven in two different ways:

- Independent master – Master switch will drive only the Master valve.
- Following master – The Master switch will drive all sections and the Master valve (if present) simultaneously.

The cabling of the SDM module require adaption as illustrated below depending on the Master valve mode described above..

Figure 8: Following master

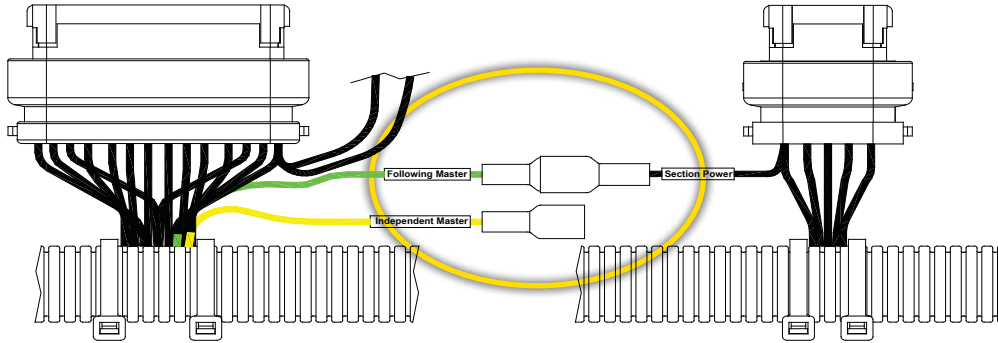
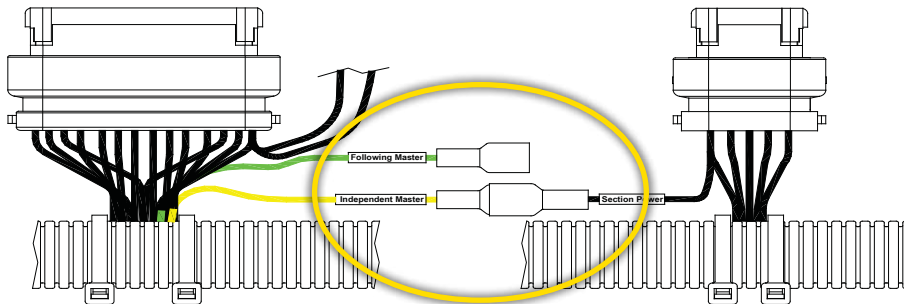


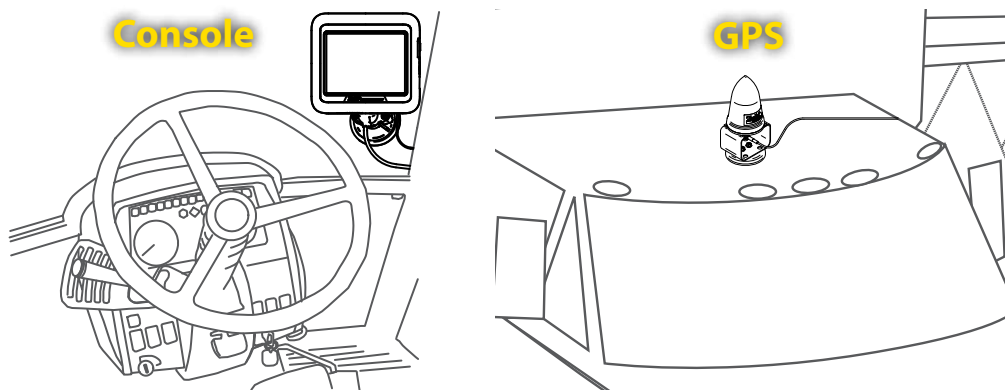
Figure 9: Independent master



6. RECOMMENDED ELECTRONICS INSTALLATION

The control console can be mounted to the operator's preference. The GPS antenna should be mounted in the center on top of the cab on a metal surface of at least 10 cm square.

Figure 10: Recommended electronics installation



7. COMPLETE ELECTRONIC INSTALLATION

Refer to the Matrix Pro BoomPilot Setup Guide for further instructions on setting up and using your Matrix Pro for ABSC.

If not using a Matrix Pro, please refer to the owner's manual supplied with the guidance system to complete the electronic installation and setup.

SYSTEM CHECK

After connecting the power connector, it is time to make a system check. To check the system, it is necessary to have full GPS signal. To obtain full GPS signal, the vehicle must be placed outside.

Check AUTOMATIC mode:

TJ834/TJ844/TJ854:

Section switches should be in the OFF position when working in Automatic mode. The Master switch will control the sprayer and should be ON to enable automatic switching of the sections.

Matrix Pro:

- Turn on the Matrix Pro console
- Encode the number of sections and the width of each (Refer to the Matrix Pro user manual)
- Wait for GPS signal
- Set the BoomPilot mode to AUTOMATIC
◀ Status Bar Icon will change to green ▲
- Drive forward (> 2 km/h)
- Observe that all valves open
- Check that the valves close when the Master switch is set to OFF

Check MANUAL mode:

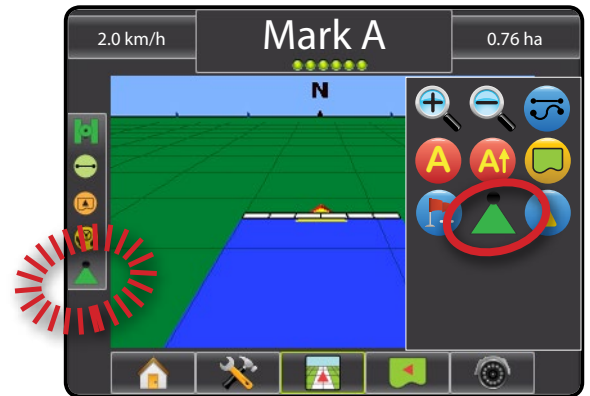
TJ834/TJ844/TJ854:

- Set the section switches to ON
- Set the Master switch to ON

Matrix Pro:

- Set the BoomPilot mode to MANUAL
◀ Status Bar Icon will change to red ▲
- Check in the 'Vehicle View Screen' (Matrix Pro) that the section icons turn off and on according to the valve/switch status
- Observe that all valves are open

Figure 11: Automatic to all booms on mode



BOOMPILOT[®]

USER MANUAL

A series of equipment-specific installation kits have been developed to work in conjunction with your automated boom section control system. This kit contains the necessary components and instructions to install ABSC with TeeJet 834 , TeeJet 844 and TeeJet 854 Controllers. Please review this manual thoroughly before beginning the installation process.

BoomPilot[®]



TeeJet Aabybro
Mølhavevej 2
DK 9440 Aabybro
Danmark
www.teejet.com

A Subsidiary of  **Spraying Systems Co.[®]**

020-038-UK R2 EN English
© TeeJet Technologies 2013