
115880 e-ChemSaver® Maintenance Instruction

Ver. 6

The 115880 e-ChemSaver® is a solenoid-actuated shutoff compatible with a wide range of TeeJet® nozzle bodies equipped with a diaphragm check valve. It can be used for end-of-boom nozzles as well as individual tip shutoff and PWM controls.

The valve is normally closed and opens when the solenoid is energized. The 115880 has a 2-Pin Superseal 1.5 connector molded into the body for a clean, weather-tight electrical connection.

Application Note(s): Rinse system with clean water after each application, 80 mesh strainer screen or finer is recommended with all e-ChemSaver® applications.

General Disassembly and Reassembly

Note: **CP116231-NYB:** e-ChemSaver® Installation and Removal Tool is recommended (See Data Sheet DS116231 for additional information)
O-rings (6, 8, 9) should be handled with care as they can be damaged/deformed

- 1) Loosen and remove the nylon Nut (1)
- 2) Separate the Coil Assembly (2) from the rest of the Tube/Plunger Assembly (3-10)
- 3) Remove the Locking Ring (10)
- 4) Using pliers to grip the stainless steel Interface Cap (7), loosen the Tube Sub-Assembly (3) using a 9/16" (14 mm) or adjustable wrench

All repairable parts should be accessible at this point. The Plunger Sub-Assembly (4), stainless steel Spring (5), and O-rings (6, 8, 9) can be replaced without further disassembly

- 5) During reassembly, place the Plunger Sub-Assembly (4) and stainless steel Spring (5) in the Tube Sub-Assembly (3)

Note: The Plunger Sub-Assembly (4) should be oriented with the black insert facing outward (visible) when placed in the Tube Sub-Assembly (3)

- 6) While compressing the Spring (5), thread the Tube/Plunger Assembly (3-10) to the stainless steel Interface Cap (7) and tighten using a wrench and pliers

Optional: Apply 1 drop of Loctite Blue 243 to the threads of the Interface Cap (7) and Tube Sub-Assembly (3)

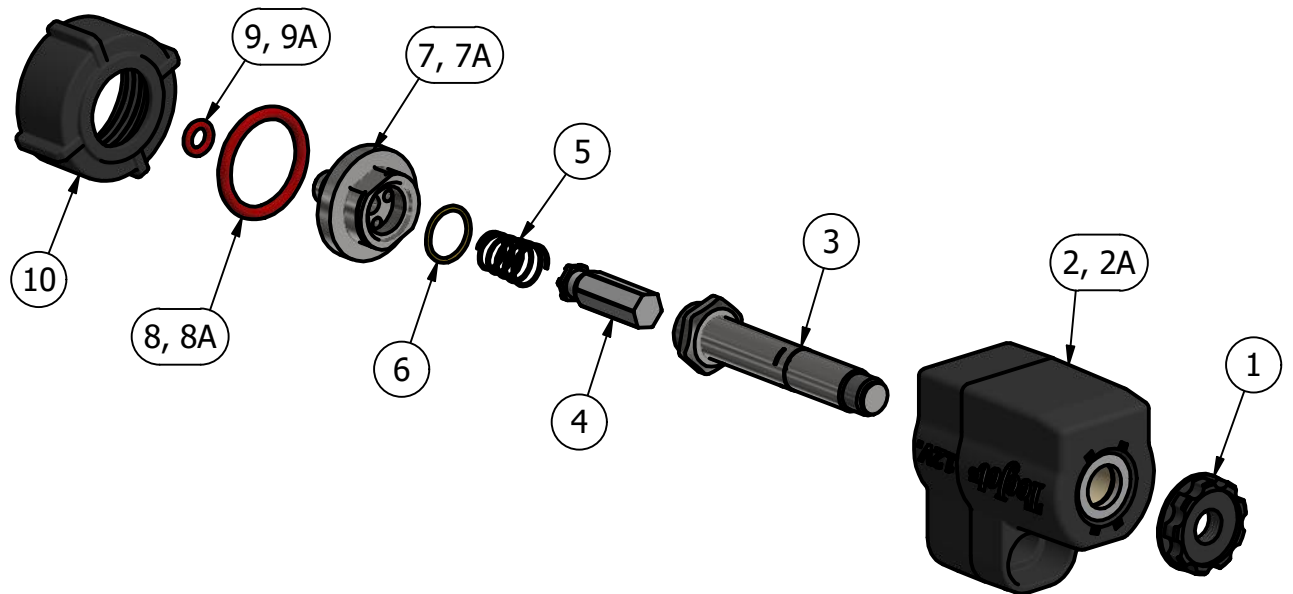
Torque Specifications: Tighten Interface Cap (7) & Tube Sub-Assembly (3) to 12 in-lbs (1.36 N-m)

- 7) Return the Locking Ring (10) to its original position and slide the Tube/Plunger Assembly (3-10) through the Coil Assembly (2)



Note: The Coil Assembly (2) should be oriented with the SuperSeal 1.5 connector facing away from the Interface Cap (7)

- 8) Tighten the nylon Nut (1) to the Tube/Plunger Assembly (3-10)
- 9) **Recommended:** At the time of installation, spray a sufficient quantity of CorrosionX[®], CorrosionX[®] Heavy Duty, or CorrosionX[®] Aviation corrosion prevention compound into the connector to wet the terminals prior to plugging the connector in



ITEM	PART NUMBER	DESCRIPTION
1	CP55289-NYB	NUT, NYLON-BLACK
2	CP115881-12	12V COIL ASSEMBLY
2A	CP115881-24	24V COIL ASSEMBLY
3	N/A	TUBE SUB-ASSEMBLY
4	N/A	PLUNGER SUB-ASSEMBLY
5	N/A	SPRING, 302 STAINLESS STEEL
6	N/A	O-RING, VITON®
7	N/A	INTERFACE CAP, 303 STAINLESS (115880-1-12 & 115880-4-12)
7A	N/A	INTERFACE CAP, 303 STAINLESS (115880-2-12)
8	CP7717-2/116-VI	O-RING, VITON® (115880-1-12 & 115880-2-12)
8A	CP58589-VI	GASKET, VITON® (115880-4-12)
9	CP7717-2-007/VI	O-RING, VITON® (115880-1-12 & 115880-4-12)
9A	CP7717-M4.2X1.9-VI	O-RING, VITON® (115880-2-12)
10	CP55288-NYB	LOCKING RING, NYLON-BLACK

SPARE KITS

AB115880-1-KIT, SPARE PARTS KIT (INCLUDES ITEMS 4, 5, 6, 8, 9)
AB115880-2-KIT, SPARE PARTS KIT (INCLUDES ITEMS 4, 5, 6, 8, 9A)
AB115880-4-KIT, SPARE PARTS KIT (INCLUDES ITEMS 4, 5, 6, 8A, 9)
AB115880-1-FR-KIT, FIELD REPAIR KIT (INCLUDES ITEMS 1, 3, 4, 5, 6, 7, 8, 9)
AB115880-2-FR-KIT, FIELD REPAIR KIT (INCLUDES ITEMS 1, 3, 4, 5, 6, 7A, 8, 9A)

VITON® IS A REGISTERED TRADEMARK OF THE CHEMOURS COMPANY.

DESCRIPTION:

115880-1-12, 115880-2-12, 115880-4-12,
115880-1-24, 115880-2-24, 115880-4-24
e-CHEMSAVER® SOLENOID OPERATED
ELECTRIC SHUT-OFF VALVE

TeeJet®
TECHNOLOGIES

REVISION NO.	2	Parts List No.	PL115880
REFERENCE:	02/20/2020	SHEET:	1 OF 1
		DWG SIZE:	A