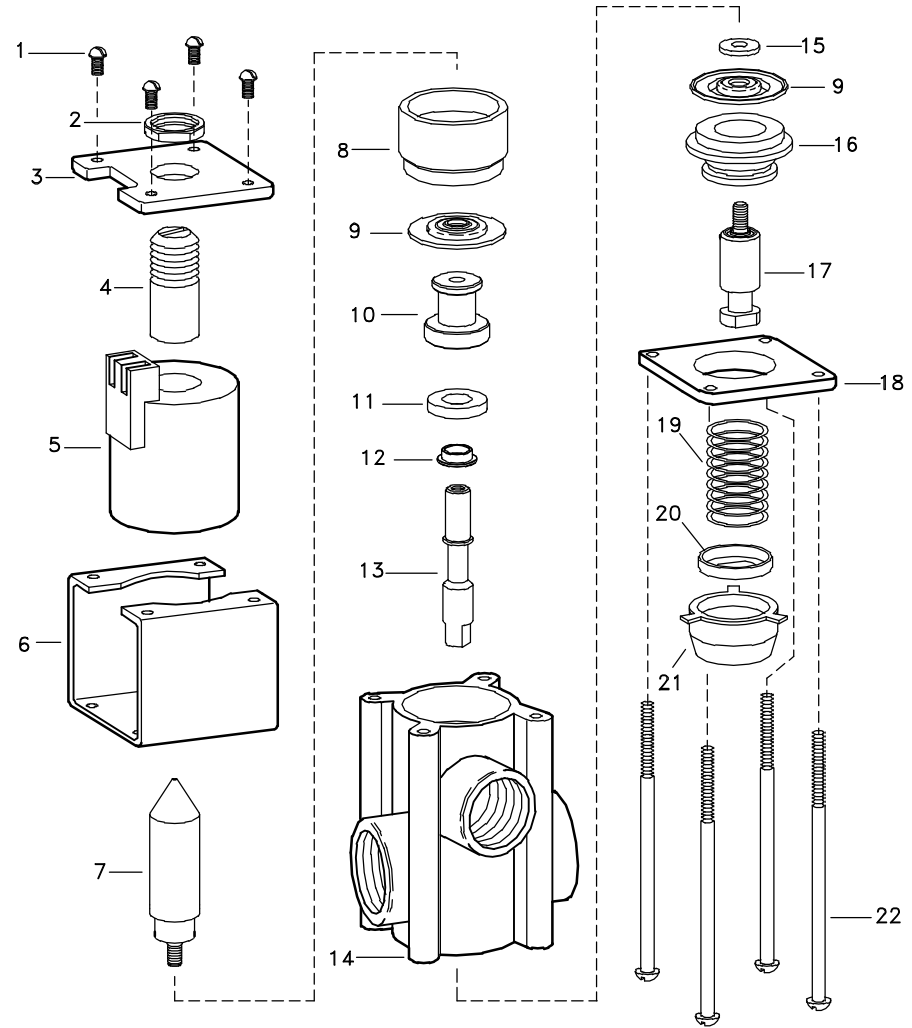



ITEM	PART NO.	DESCRIPTION	
1	CP7698-SS	Screw, Stainless Steel (4 Req'd)	
2	CP18602-IENP	Jam Nut, Steel, Electroless Nickel Plated	
3	CP18603-I	Coil Cover, Steel, Nitrotec Coating	
4	CP18618-IENP	Armature Stop, Steel, Electroless Nickel Plated	
5	CP18605-NYB	Coil Assembly, Nylon Encapsulated (Black)	
6	CP18623-1-I	Strap Sub-Assembly, Steel, Nitrotec Coating	
7	CP18606-IENP	Armature, Steel, Electroless Nickel Plated	
8	CP18607-NYB	Upper Diaphragm Housing, Nylon (Black)	
9	* CP18621-EPR	Diaphragm, EPDM Rubber (2 Req'd) (for 145H-1)	
	■ CP18621-VI	Diaphragm, Viton (2 Req'd) (for 145H-1-VI)	
10	CP18610-SS	Seat Washer Retainer, Stainless Steel	
11	* CP18611-EPR	Seat Washer, EPDM Rubber (for 145H-1)	
	■ CP18611-VI	Seat Washer, Viton (for 145H-1-VI)	
12	CP18612-SS	Spacer, Stainless Steel	
13	CP18613-SS	Stem, Stainless Steel	
14	CP18601-1-NYB	Body, Nylon (Black)	
15	CP18609-SS	Washer, Stainless Steel	
16	CP18614-NYB	Lower Diaphragm Housing, Nylon (Black)	
17	CP18617-SS	Lower Diaphragm Piston, Stainless Steel	
18	CP18615-I	Bottom Plate, Steel, Nitrotec Coating	
19	CP25831-302SS	Spring, 302 Stainless Steel	
20	CP18620-304SS	Spring Retainer, 304 Stainless Steel	
* ■	21	CP18622-EPR	Boot, EPDM Rubber
	22	CP18619-SS	Screw, Stainless Steel (4 Req'd)
AA145H-1, DirectoValve			
AA145H-1-VI, DirectoValve			
PK-AB145H-KIT, Spare Parts Kit (includes all items marked with *)			
AB145H-VI-KIT, Spare Parts Kit (includes all items marked with ■)			



DESCRIPTION:
**AA145H-1 SOLENOID
OPERATED DIRECTOVALVE®**

Rev. No. 2
Ref.



Spraying Systems Co.®
Spray Nozzles and Accessories
P.O. Box 7900 - Wheaton, IL 60189-7900

Parts List No.
PL 145H

SHEET OF