

GLONASS ENABLE

UPDATE TO ADD GLONASS TO NON-GLONASS GNSS RECEIVERS IN MATRIX PRO GS & AEROS CONSOLES

GLONASS capability can now be enabled at no-cost in Matrix Pro GS and Aeros consoles that originally shipped without GLONASS.

Requirements

This update converts the GNSS receiver from 'Receiver 6' to 'Receiver 7'. Updating is an easy process that can be done using the USB port on the Matrix Pro GS and Aeros consoles.

NOTE: This update is only supported by Matrix Pro GS consoles running v3.04 or later, and Aeros consoles running v4.00 or later, but it is highly recommended that you update to console v4.11 in order to utilize a number of new GNSS capabilities introduced in v4.11. If your console is running an older version, the console update can be downloaded from the Tech Support->Software/Firmware Updates section at www.teejet.com.

Determine If Update is Compatible

The best way to determine if your unit should be updated is to check the "Receiver" number as shown. Go to Configuration->GNSS Receiver Configuration->GNSS Status Information and verify the values for "Receiver".



If the receiver is Receiver: 6, this update will update the GNSS receiver to Receiver: 7.
If the receiver is already Receiver: 7, there is no need to continue with this update.

NOTE: The GNSS receiver version must be 010201 in order for this update to complete. If the version in your receiver is older (010016, 010102, or 010105), the update to 010201 must be installed first, and can be downloaded from the Tech Support->Software/Firmware Updates/Matrix Pro ClearPath Receiver Update section at www.teejet.com.

GNSS Antenna

The GNSS antenna must be GLONASS capable. TeeJet's optional RXA-30 antenna is already GLONASS capable, but most Patch antennas sold with Matrix Pro GS consoles equipped with Receiver 6 GNSS receivers are GPS only, and will have to be replaced with GLONASS capable antennas in order to receive and apply GLONASS observations. Options include the RXA-30 antenna (part number 90-02720), and the GLONASS patch antenna (part number 78-50190).

NOTE: The cost for antenna replacement is not covered by TeeJet Technologies.



GNSS PATCH

REPLACE WITH



GNSS GLONASS PATCH

OR



RXA-30



If you have any questions about whether or not you should update your unit, please contact Product Support at TeeJet Technologies for assistance.

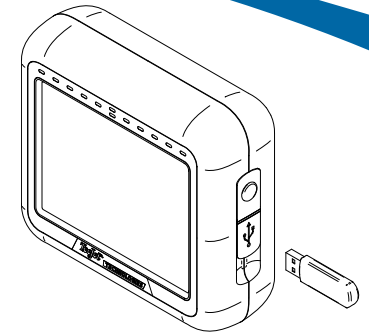
Update Procedure

1. Verify that your GNSS receiver requires the update. (See "Determine If Update Is Compatible" for more information.)
2. Download the zip file from www.teejet.com [Tech Support->Software/Firmware Update->GLONASS Enable] directly to your computer's Desktop or Downloads folder (see "How to download ZIP files.pdf" for details).
3. Double click the zip file (GLONASS_UPD_100.zip) then select either A or B:
 - A) Copy and paste the "tjrun" folder to the root directory of an empty USB drive.
 - B) Using the "Extract all files" function, unzip/uncompress the downloaded file to the root directory of an empty USB drive (see "How to download ZIP files.pdf" for details).

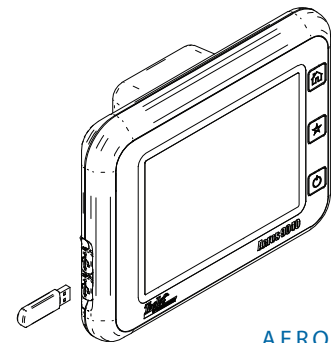
RECOMMENDATION: Use an empty USB drive. Be sure there are no other automatically executable files on the drive.

4. Properly eject the USB drive from your computer using the "Safely Remove Hardware" icon from the Task Bar or the "Eject this disk" function from the My Computer window or the "Eject Disk" option (on a MAC).
5. Power on the Matrix Pro GS or Aeros console and wait until the console is fully booted up.
6. Make sure that Configuration->GNSS Receiver Configuration->GNSS Port is set to **Internal**.
7. With the console ON, lift rubber cover and insert the USB drive into the Matrix Pro GS or Aeros console.
8. The update process will take less than 1 minute and will progress through the following stages as indicated by the on-screen information:
 - Updating receiver model, please wait...
 - Receiver updated successfully! Please remove thumb drive and reboot unit.

WARNING – Do not interrupt power to the Matrix Pro GS or Aeros console or remove the USB Drive before the update is complete.
9. Remove the USB Drive from the console.
10. Press and hold the POWER BUTTON  to power off the console. This can take up to 15 seconds.
11. Press the POWER BUTTON  to power on the console again.
12. Go to Configuration->GNSS Receiver Configuration->GNSS Status Information and verify that "Receiver" shows 7.



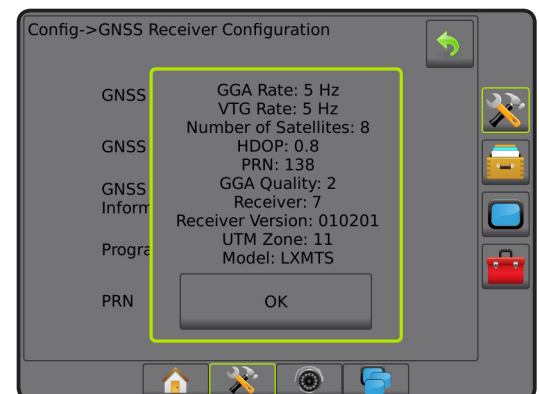
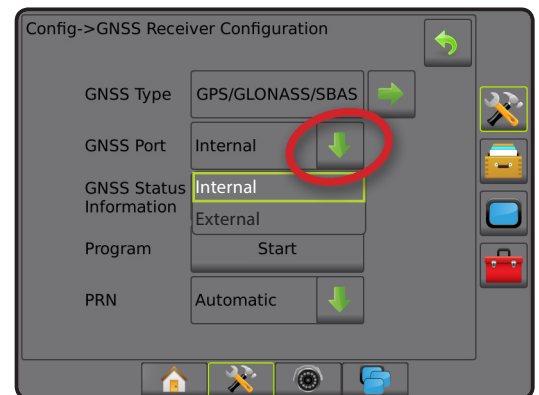
MATRIX PRO 570GS CONSOLE



AEROS CONSOLE

Troubleshooting Failure to update

Message	Solution
Receiver version unable to be determined	Contact TeeJet Technologies Product Support
Your receiver is not at version 010201	Update to version 010201 and run GLONASS update again
This receiver is already GLONASS activated	Update is not required
Unable to locate model serial number XXXxxxxxxx in authorization file	Contact TeeJet Technologies Product Support



www.teejet.com