

TURBINE FLOW METER

FM838 INFORMATION SHEET

Advantages of Turbine Flow Meters

- Removable Rapid Check turbine for fast cleanup and service
- Two body versions with different fluid connections
 - FM838-Q (TeeJet Quick Connect)
 - FM838-M50 (TeeJet 430 Manifold connection)



Specifications	FM838
Rated Flow Range	0.5 to 10 GPM / 2 to 38 LPM
Accuracy	+/- 5% of reading from factory +/- 3% of reading with field calibration
Pressure Drop	11.6 PSI @ 10 GPM / 0.8 bar @ 38 LPM
Pressure Rating	300 PSI / 20 bar
Calibration Number	1,350 pulses per gallon / 362 pulses per liter
Inlets / Outlets (2 options)	TeeJet Quick Connect TeeJet M50 (TeeJet 430 Manifold Connection)
Materials	Polypropylene, 300 & 400 series stainless steel, Viton seals, sapphire bearings
Temperature Rating	Operating: 0°F to +150°F / -20°C to +65°C Storage: -40°F to 185°F / -40°C to +85°C
Voltage	4.5 to 16 VDC
Current	<1 amp
Output	50% Square Wave
LED's	Green — Power Orange — Flow signal
Size	FM838-Q 4.5" x 3.7" x 2.4" / 114 mm x 94 mm x 60 mm FM838-M50 4.5" x 4.1" x 2.4" / 114 mm x 104 mm x 62 mm
CE Mark	Yes
Weight	FM838-Q: 0.52 lbs (0.235 kg) FM838-M50: 0.58 lbs (.267 kg)
Ingress Protection	IP67

FM838

- 0.5-10 GPM (2.0-38 LPM) Flow Range
- TeeJet Quick Connect Fittings & 4 bolt flange
- Accuracy +/- 3%
- Max Pressure 300 PSI
- Removable Rapid Check turbine for fast cleanup and service
- Sapphire bearings
- LED operating light status
- Conxall and Deutsch cable connections available
- CE Certified

Cable Information

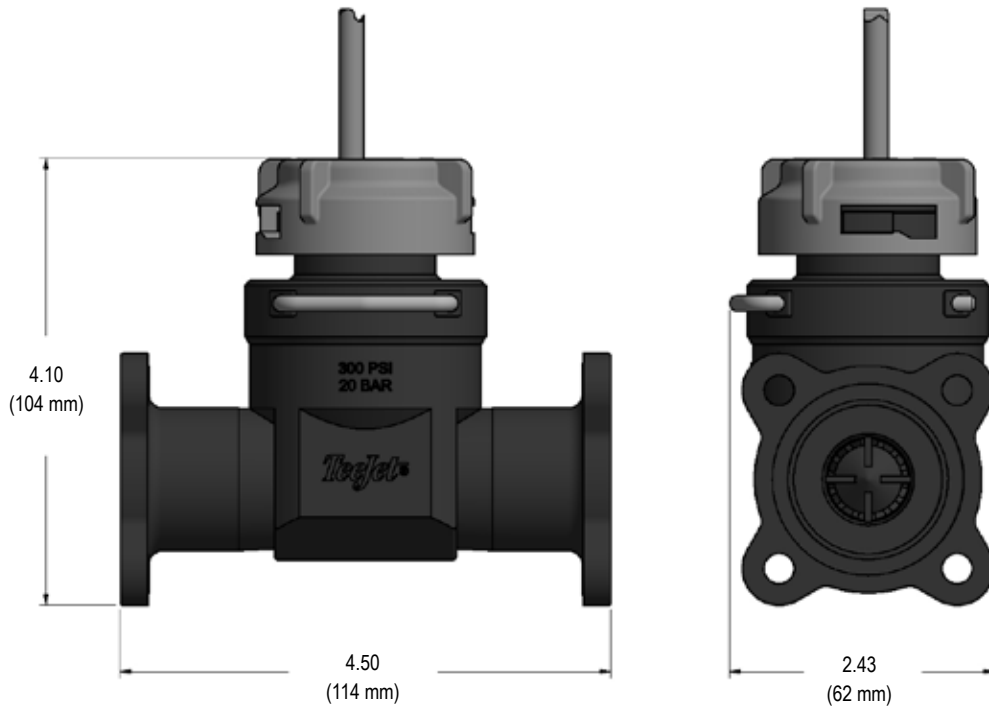
Connector, Deutsch 3 Pos/Skts (FM838-Q)				
	Pin Out	Color	Function	Cable Length
	A	Red	+4.5V to 16V	1.654' / 0.5 m
	B	White	Signal	
	C	Black	Ground	

Connector, Conxall 3 Pos/Pins (FM838C-Q)				
	Pin Out	Color	Function	Cable Length
	1	Black	Ground	1.654' / 0.5 m
	2	White	Signal	
	3	Red	+5V	

Flow Meter Parts

Part #	Fluid Delivery Part #	Description
FM838-Q		FM838 Flow Meter with TeeJet Quick Connect, Deutsch
FM838C-Q		FM838 Flow Meter with TeeJet Quick Connect, Conxall
57-10141	45529-1/2	1/2" Quick Connect, S/ASB (includes retaining clip and o-ring)
57-10142	45529-3/4	3/4" Quick Connect, S/ASB (includes retaining clip and o-ring)
57-10143	45529-1	1" Quick Connect, S/ASB (includes retaining clip and o-ring)

FM838 - M50 Dimensions



FM838 - Q Dimensions

