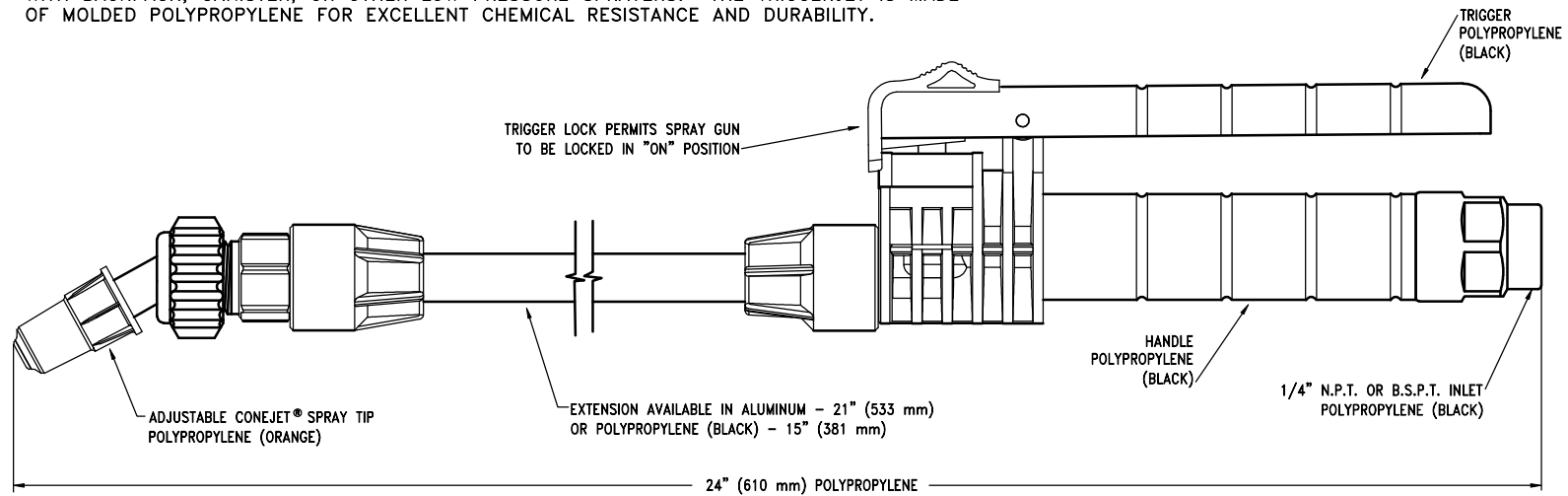


THE MODEL 50800 TRIGGERJET SPRAY GUN IS A LIGHTWEIGHT SPRAY GUN DESIGNED FOR USE WITH BACKPACK, CANISTER, OR OTHER LOW PRESSURE SPRAYERS. THE TRIGGERJET IS MADE OF MOLDED POLYPROPYLENE FOR EXCELLENT CHEMICAL RESISTANCE AND DURABILITY.



ADJUSTABLE CONEJET No.	PERFORMANCE	LIQUID PRESSURE IN PSI (bar)									
		20 PSI (1.4 bar)		30 PSI (2.1 bar)		40 PSI (2.8 bar)		60 PSI (4.1 bar)		100 PSI (7 bar)	
		SETTING		SETTING		SETTING		SETTING		SETTING	
		A	B	A	B	A	B	A	B	A	B
38720-PPB-X18	CAPACITY - GPM	.020	.68	.24	.81	.28	.92	.34	1.1	.42	1.4
	L/min	0.75	2.6	.91	3.1	1.1	3.5	1.3	4.2	1.6	5.3
	SPRAY ANGLE	61°	--	68°	--	80°	--	80°	--	80°	--

SETTING "A" - HOLLOW CONE SPRAY

SETTING "B" - SOLID STREAM

HOW TO ORDER:

#50800-15-PP-1/4


INCLUDES:

- 1) 50800-15-PP-406 - 15" POLYPROPYLENE EXTENSION, 3/8" HOSE BARB INLET.
- 2) AB50800-1/4 ADAPTER KIT WITH 1/4" N.P.T. OR B.S.P.T. THREAD INLET ADAPTER.
- 3) MI50800 INSTRUCTION FOR ADAPTER ASSEMBLY.

FEATURES:

- THE 50800 TRIGGERJET SPRAY GUN FEATURES A POLYPROPYLENE EXTENSION AND ADJUSTABLE CONEJET® SPRAY TIP.
- ADJUSTABLE CONEJET® SPRAY TIP CAN BE REPLACED WITH ANY STANDARD UNIJET® SPRAY NOZZLE.
- AB50800-1/4 KIT INCLUDES A 1/4" N.P.T. OR B.S.P.T. THREADED INLET ADAPTER.
- TRIGGER LOCK PERMITS SPRAY GUN TO BE LOCKED IN THE OPEN POSITION FOR CONTINUOUS FLOW.
- POLYPROPYLENE STRAINER LOCATED INSIDE HANDLE TO PREVENT TIP CLOGGING.
- MAXIMUM OPERATING PRESSURE - 100 PSI (7 bar).

DESCRIPTION:
NO.
50800-15-PP-1/4
TRIGGERJET®
SPRAY GUN WITH
THREADED
ADAPTER



Spraying Systems Co.®
Spray Nozzles and Accessories
P.O. Box 7900 - Wheaton, IL 60187-7901

Rev. No.	DATA SHEET 50800 SHEET ---- OF ----
Ref.	