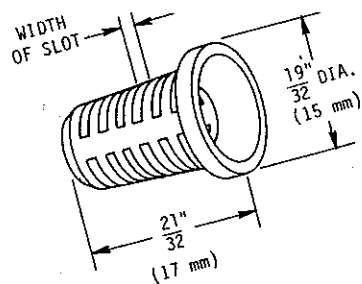


NO. 4514-NY--

TeeJet SLOTTED STRAINERS

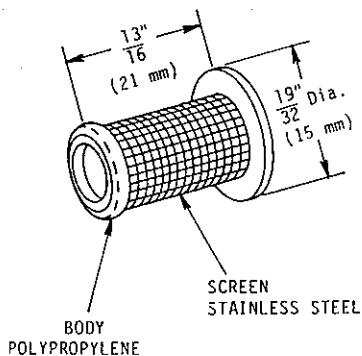


SLOTTED STRAINER NO.	WIDTH OF SLOTS	EQUIV. TO MESH SIZE	MATERIAL	COLOR
4514-NY-10	.010" (0.25 mm)	50	NYLON	RED
4514-NY-20	.020" (0.51 mm)	25		YELLOW
4514-NY-32	.032" (0.81 mm)	16		GREY

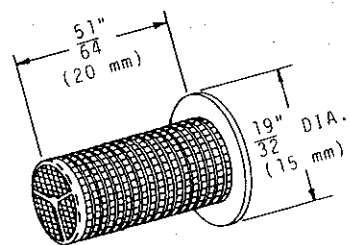
ESPECIALLY WELL SUITED FOR USE WITH SOLUTIONS CONTAINING FINE POWDERS, WHICH WOULD NORMALLY CLOG WIRE MESH SCREENS QUICKLY.

NO. 8079-PP--

TeeJet STRAINERS



STRAINER NO.	SCREEN MESH SIZE	COLOR
8079-PP-24	24	WHITE
8079-PP-50	50	RED
8079-PP-80	80	BLUE
8079-PP-100	100	GREEN
8079-PP-110	110	NATURAL
8079-PP-200	200	ORANGE



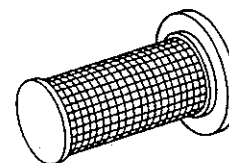
MATERIAL - POLYPROPYLENE

NO. 19845-PP--

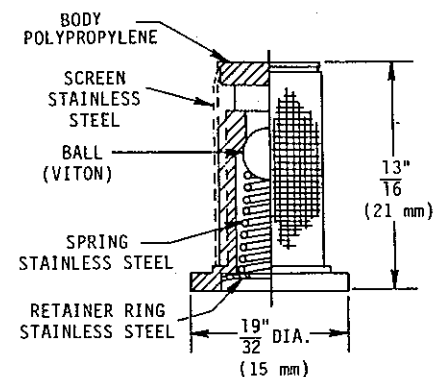
TeeJet STRAINERS

STRAINER NO.	SCREEN MESH SIZE	COLOR
19845-PP-25	25	YELLOW
19845-PP-50	50	RED

THE 4193A-STRAINER-CHECK VALVE PROVIDES A DUAL FUNCTION OF PROTECTING THE ORIFICE TIP FROM CLOGGING - AS WELL AS PREVENTING DRIPPING FROM THE NOZZLE AFTER THE LINE PRESSURE IS SHUT OFF.



NO. 4193A-PP--
TeeJet STRAINERS-CHECK VALVES



CHECK VALVE NO.	SCREEN MESH SIZE	COLOR
4193A-PP--24SS	24	WHITE
4193A-PP--50SS	50	RED
4193A-PP--80SS	80	BLUE
4193A-PP--100SS	100	GREEN
4193A-PP--110SS	110	NATURAL
4193A-PP--200SS	200	ORANGE

*SPECIFY SPRING OPENING PRESSURE (PSI) SUCH AS 5, 10, 20, AND 40.

FLOW RATE, G.P.M (l/min)	.4	.6	.8	1.0	1.5	2.0
	(1.5)	(2.3)	(3.0)	(3.8)	(5.7)	(7.6)
PRESSURE DROP, P.S.I (bar)	4	7	10	12	20	30
5 PSI (0.35 bar) SPRING**	(0.3)	(0.5)	(0.7)	(0.8)	(1.4)	(2.1)

**SPRING WITH DIFFERENT OPENING PRESSURES WILL CAUSE DIFFERENT PRESSURE DROPS THAN SHOWN WITH STANDARD 5 PSI (0.35 bar) SPRING.

DESCRIPTION

TeeJet STRAINERS &
CHECK VALVES
(*VisiFlo* COLOR CODED)

Spraying Systems Co.

Spray Nozzles and Accessories

North Avenue and Schmale Road
Wheaton, Illinois 60188

Ref :

Data Sheet No.

Revision No. 3

23293