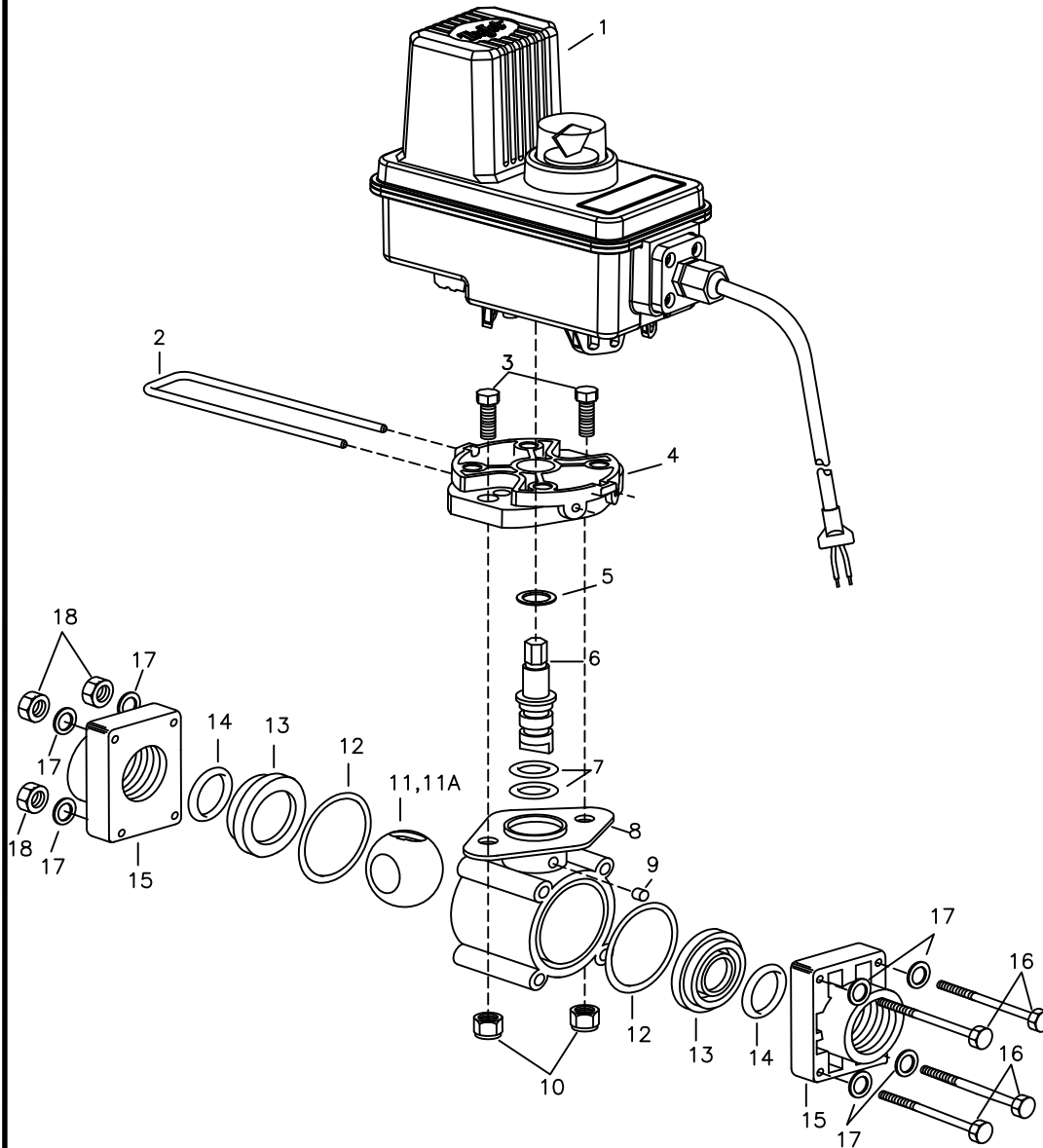


**B346BR-26-01C15RB**



ITEM	PART NO.	DESCRIPTION	
1	50516-01C15RB	Regulating. MOTOR, 1-RPM (18-SEC), 1.5m CABLE	
2	CP50517-SSPV	RETAINING CLIP, 304 STAINLESS STEEL	
3	CP46073-25-302SS	HEX HEAD CAP SCREW, STAINLESS STEEL (2 REQ'D)	
4	CP50514-PP	MOTOR ADAPTER, POLYPROPYLENE (BLACK)	
*	5	CP23550-TEF	THRUST WASHER, TEFLON
6	CP56619-2-303SS	STEM, 303 STAINLESS STEEL (2-WAY)	
*	7	CP7717-2/208-VI	O-RING, VITON (2 REQ'D)
8	CP23546-PP	BODY, POLYPROPYLENE (BLACK) (2-WAY)	
*	9	CP20126-FELT	DUST PLUG, FELT
10	CP38435-M8-SSNY	ELASTIC LOCKNUT, STAINLESS STEEL (2 REQ'D)	
11	CP23543-PP	BALL, POLYPROPYLENE (WHITE) (2-WAY)	
11A	CP46079-SS	BALL, 303 STAINLESS STEEL (2-WAY)	
*	12	CP7717-2/145-VI	O-RING, VITON (2 REQ'D)
*	13	CP23549-TEF	SEAL, TEFLON (2 REQ'D)
*	14	CP7717-2/222-VI	O-RING, VITON (2 REQ'D)
15	CPB23551-PP	END CAP, POLYPROPYLENE (BLACK) (1-1/2" BSPT THD.) (2 REQ'D)	
16	CP46073-110-302SS	HEX HEAD CAP SCREW, STAINLESS STEEL (4 REQ'D)	
17	CP46078-302SS	FLAT WASHER, STAINLESS STEEL (8 REQ'D)	
18	CP46074-302SS	HEX NUT, STAINLESS STEEL (4 REQ'D)	

AB346B-KIT, SPARE PARTS KIT (INCLUDES ALL ITEMS MARKED WITH \* )

**DESCRIPTION:**  
**346BR-26-01C15RB**  
**DIRECTOVALVE®**  
**ELECTRIC REGULATING**  
**BALL VALVE**



**Spraying Systems Co.®**

Spray Nozzles and Accessories  
 P.O. Box 7900 - Wheaton, IL 60187-7901

Rev. No. 2

Ref. 11/6/2009

PARTS LIST  
**PL346BR-26-01C15RB**  
 SHEET OF