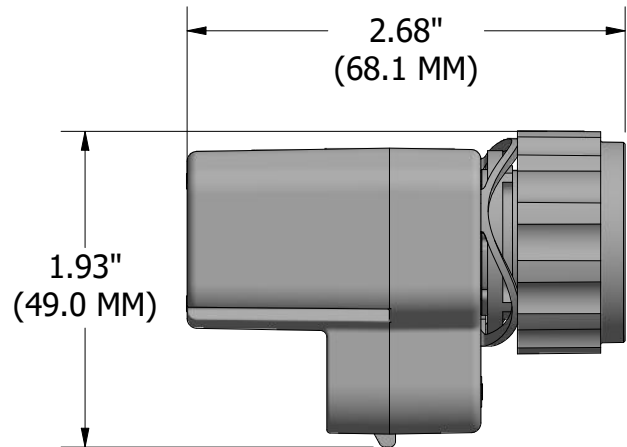


e-ChemSaver[®] ES Valve

FEATURES:

- 24 VOLT ELECTRIC SOLENOID SHUTOFF VALVE
- VALVE IS NORMALLY CLOSED FOR SAFETY
- NOT SUITED FOR USE IN PWM APPLICATIONS
- MAXIMUM 100 PSI (7 BAR) SPRAYING PRESSURE AT MINIMUM VOLTAGE (12V)
- 0.7 GPM (2.8 LPM) AT 5 PSI (0.34 BAR) PRESSURE DROP
- 1.1 GPM (4.1 LPM) AT 10 PSI (0.69 BAR) PRESSURE DROP
- ALL WETTABLE PARTS ARE STAINLESS STEEL, PEEK AND VITON[®] EQUIVALENT
- CURRENT DRAW OF 0.23 AMPS (5.6 WATTS) AT 24 VOLTS
- RESPONSE TIME: 10-25 ms
- VOLTAGE ENERGIZES THE SOLENOID COIL TO OPEN THE VALVE
- REMOVAL OF POWER ALLOWS A SPRING TO CLOSE THE VALVE
- UNIVERSAL FITMENT OF ALL TEEJET[®] NOZZLE BODIES
- REQUIRES 98552 CABLE w/ 2-PIN FEMALE SUPERSEAL 1.5 CONNECTOR



NOTE: IT IS RECOMMENDED TO INCLUDE A LINE STRAINER OF 80 MESH OR FINER WITH ALL e-CHEMSAVER[®] ES VALVE APPLICATIONS

WIRING CHART

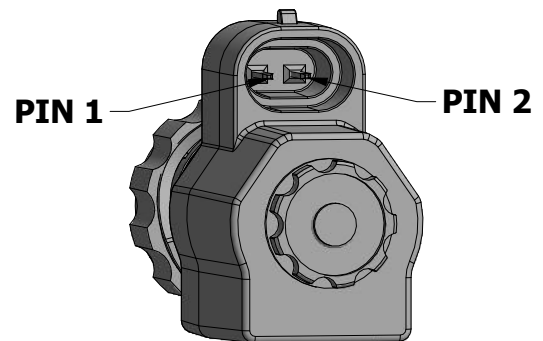
PIN TERMINAL	WIRING
1	(+) POSITIVE
2	(-) NEGATIVE
NOTE: (+) & (-) TERMINALS CAN BE INTERCHANGED.	

HOW TO ORDER: 116950- -24-

TYPE
 BLANK = TEEJET[®] BODIES
 7 = ARAG/HYPRO[®] BODIES

VOLTAGE
 12 = 12VDC
 24 = 24VDC

CABLE LENGTH CODE
 BLANK = NO CABLE
 05 = 0.5 METER (20")
 15 = 1.5 METER (60")
 30 = 3.0 METER (120")
 60 = 6.0 METER (240")



98552-2-__: CABLE (SEE DATA SHEET DS98552)

DESCRIPTION:

TEEJET e-CHEMSAVER[®] ES
 24V SOLENOID OPERATED
 ELECTRIC SHUTOFF VALVE



REVISION NO.

1

REFERENCE:

09/01/21

Parts List No.

DS116950-24

SHEET:

1 OF 1

DWG SIZE:

A