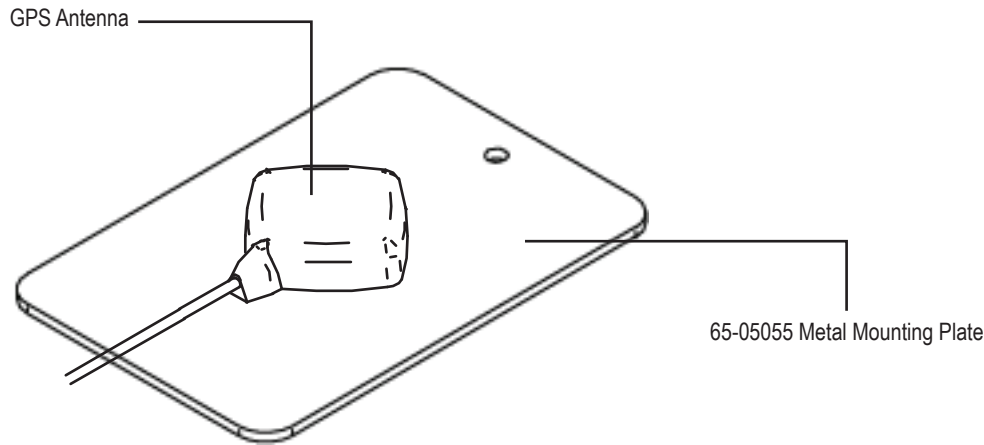


# GPS ANTENNA – METAL MOUNTING PLATE

The GPS Antenna base is magnetic. On metal vehicles or cabs, position the antenna in the center of the vehicle at the highest point.

For vehicles with non-metallic mounting surfaces, a metal plate (P/N 65-05055) with adhesive strips has been included in the kit for easy mounting and installation. It is **STRONGLY** recommended to use this metal plate underneath the antenna as it will improve signal acquisition.

Once the antenna has been positioned, route the antenna cable carefully to avoid damage.



Position the GPS antenna in the center of the vehicle at the highest point with a clear view of the sky.

If the vehicle is fiberglass, mount the metal plate in the center of the vehicle at the highest point with the adhesive strips and place the antenna on the plate.

Route the antenna cable carefully to avoid damage.

