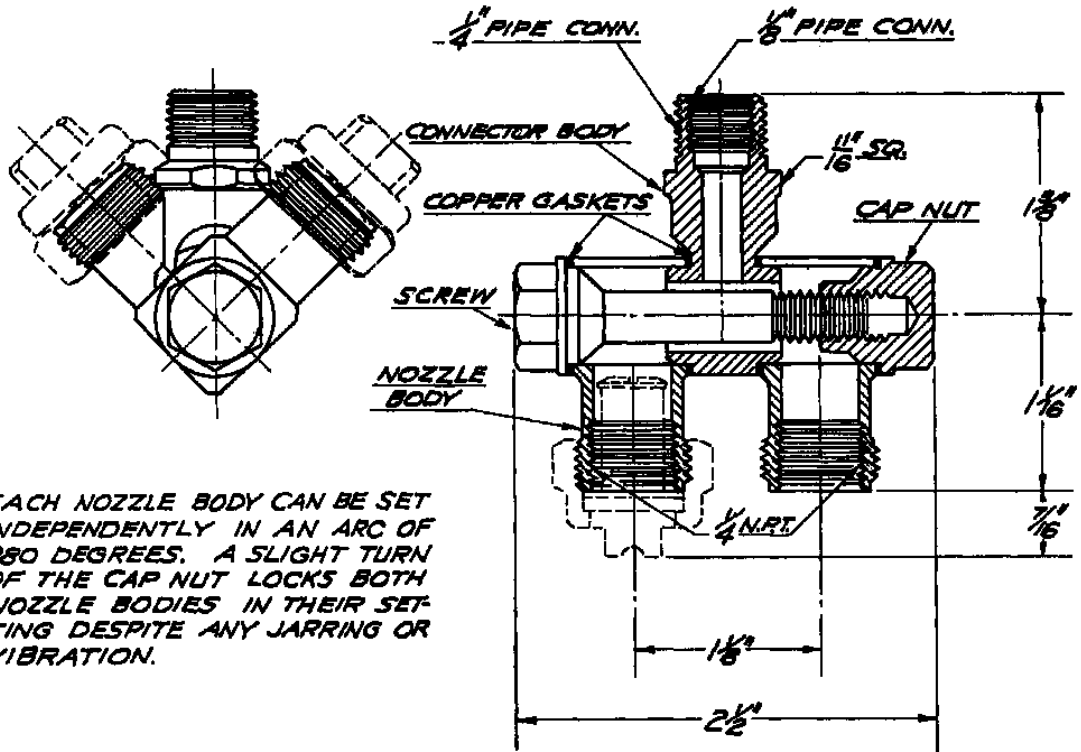


THE NO. 6240 DOUBLE SWIVEL TEEJET BODY ASSEMBLY OFFERS A FLEXIBLE AND USEFUL ARRANGEMENT TO SUIT A VARIETY OF APPLICATIONS. THE VIEWS BELOW ILLUSTRATE ITS USE WITH STANDARD CAPS, STRAINERS AND TIPS.

THE NO. 6240 ASSEMBLY CAN BE USED IN ANY DESIRED POSITION UTILIZING EITHER THE $\frac{1}{8}$ " FEMALE OR $\frac{1}{8}$ " MALE CONNECTIONS ON THE CONNECTOR BODY TOGETHER WITH THE $\frac{1}{4}$ " FEMALE CONNECTIONS ON THE NOZZLE BODIES.



EACH NOZZLE BODY CAN BE SET INDEPENDENTLY IN AN ARC OF 280 DEGREES. A SLIGHT TURN OF THE CAP NUT LOCKS BOTH NOZZLE BODIES IN THEIR SETTING DESPITE ANY JARRING OR VIBRATION.

FOR SPRAY PERFORMANCE OF TEEJET FLAT SPRAY TIPS SEE DATA SHEET 2851; FOR CONE SPRAY TEEJET TIPS - DATA SHEET 4411; FOR CONEJET TIPS - DATA SHEET 5200; FOR OFF-CENTER TIPS - 4788; FOR FULL CONE TIPS - DATA SHEET 4517.

DESCRIPTION:

NO. 6240 DOUBLE SWIVEL
TEEJET BODY ASSEMBLY



Spraying Systems Co.[®]

Spray Nozzles and Accessories
P.O. Box 7900 - Wheaton, Il. 60189-7900

Rev. No.

Data Sheet No.

6240

Ref.

SHEET OF