

D-SERIES FLOW METERS

INFORMATION SHEET

All of the flowmeters meet the following specifications:

Measuring data:

- Linearity at recommended flow range:±3.0 %
- Repetition at recommended flow range:±1.5 %
- Temperature Range:-60°F to +140°F / -15°C to +60°C
- Maximum Working Pressure:16 Bar (230 PSI)
- Pressure drop at max flow:1 bar (14.5 PSI)

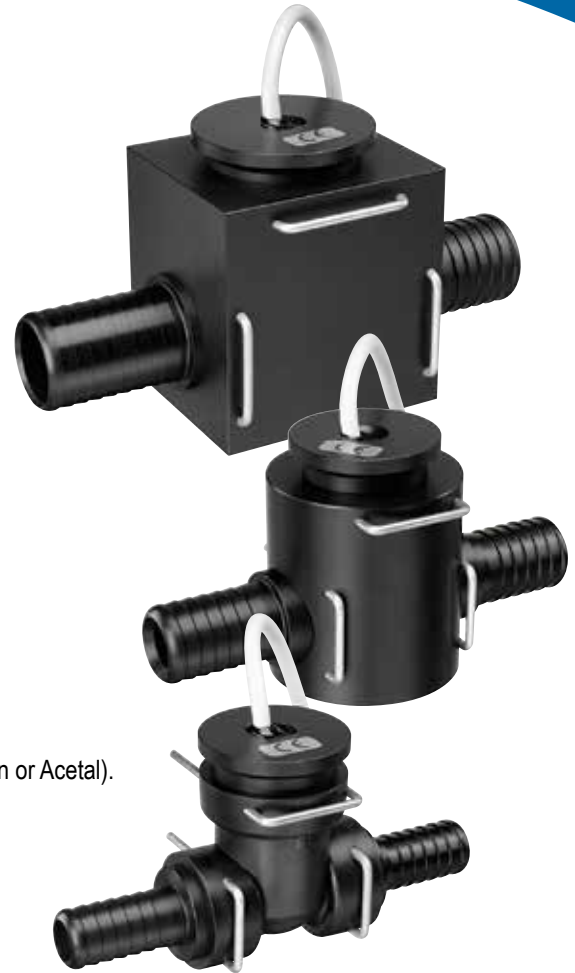
Measuring range is partly dependent of the selected type and size of connectors.

Electrical data:

- Power Supply:6 - 16 VDC
- Power Consumption:10 mA
- Output:Open collector NPN (ground signal)
- Max load:25 mA

Mechanical Data:

- Body and submerged parts are manufactured in POM - C plastic (also known as Delrin or Acetal).
- Seals are EPDM and VITON.
- All steel parts made of Stainless Steel
- Paddle wheelSS AISI 306
- Positioning pin for the insertSS A4 (ISO 3506)
- Flanges, clips, and fastenersSS A2 (ISO 3506) or AISI 304
- Cable length1.64 feet / 0.5 meter standard.



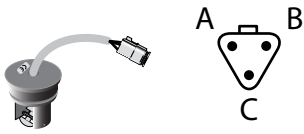
Description	Flow Range	Part # without Hose Barbs	Kit # with Hose Barbs	Calibration Number	
				Pulses per Gallon	Pulses per Liter
10 mm	1.0–15 GPM (3.8–55.0 L/M)	57-00079	90-02308, ½" Hose Barbs	700	185
16 mm	2.0–17 GPM (7.0–64.0 L/M)	57-00080	90-02309, ¾" Hose Barbs	299	79
			90-02310, 1" Hose Barbs		
20 mm	4.0–38 GPM (15.0–145.0 L/M)	57-00081	90-02311, ¾" Hose Barbs	189	50
			90-02312, 1" Hose Barbs		
			90-02313, 1¼" Hose Barbs		
26 mm	5.3–105 GPM (20.0–400.0 L/M)	57-00082	90-02314, 1¼" Hose Barbs	91	24
			90-02315, 1½" Hose Barbs		

NOTE: If using 10D or 16D w/ MID-TECH ARC or TASC series console call MID-TECH for flow rate compatibility.

The calibration numbers are nominal numbers for water. There are several factors that can affect the flow meter calibration number.

Cable Information

- Cable Length1.64' / 0.5 m



Position	Color	Function
A	Black	+12V
B	Brown	Signal
C	Blue	Ground

Flow Meter Parts

	10D	16D	20D	26D
Flow Meter	<p>57-00079</p> <p>57-00105 64-90022 57-00099</p>	<p>57-00080</p> <p>57-00105 64-90022 57-00101</p>	<p>57-00081</p> <p>57-00105 64-90022 57-00102</p>	<p>57-00082</p> <p>57-00096 64-90024 57-00103</p>
Hose Barb	<p>57-00083</p>	<p>57-00084 57-00085 57-00086</p>	<p>57-00087 57-00088 57-00089 57-00090 57-00098</p>	<p>57-00091 57-00092 57-00093</p>
	O-Ring: 64-90023	O-Ring: 64-90023	O-Ring: 64-90023	O-Ring: 64-90024



TeeJet Technologies
 1801 Business Park Drive
 Springfield, Illinois 62703 USA
 Tel: (217) 747-0235 • Fax: (217) 753-8426
www.teejet.com