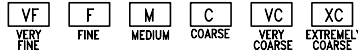


\*NOTE: FOR 75 cm TIP SPACING  
MULTIPLY CHART VALUES BY 0.67.

Droplet size classifications are based on BPC specifications and in accordance with ASAE Standard S-572 at the date of printing. Classifications are subject to change.

DROPLET SIZE CATEGORIES



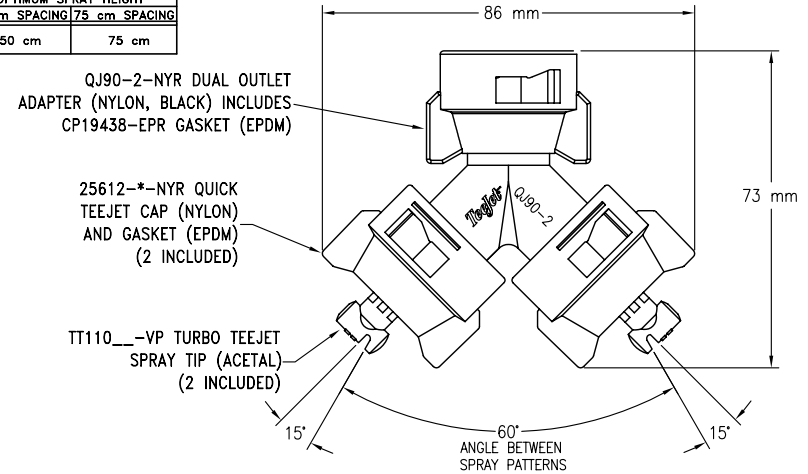
TIP AND CAP COLOR	TIP No. STRAINER SCREEN SIZE	LIQUID PRESSURE (BAR)	CAPACITY 2 NOZZLES (l/min)	LITERS PER HECTARE 50 cm SPACING*											DROPLET SIZE CLASSIFICATION
				4 km/hr	5 km/hr	6 km/hr	8 km/hr	10 km/hr	12 km/hr	16 km/hr	20 km/hr	25 km/hr	30 km/hr		
ORANGE	QJ90-2XTT11001-VP (100 MESH)	1.0	0.46	138	110	92.0	69.0	55.2	46.0	34.5	27.6	22.1	18.4	C	
		1.5	0.56	168	134	112	84.0	67.2	56.0	42.0	33.6	26.9	22.4	M	
		2.0	0.65	195	156	130	97.5	78.0	65.0	48.8	39.0	31.2	26.0	M	
		3.0	0.79	237	190	158	119	94.8	79.0	59.3	47.4	37.9	31.6	F	
		4.0	0.91	273	218	182	137	109	91.0	68.3	54.6	43.7	36.4	F	
		5.0	1.02	306	245	204	153	122	102	76.5	61.2	49.0	40.8	F	
GREEN	QJ90-2XTT110015-VP (100 MESH)	1.0	0.68	204	163	136	102	81.6	68.0	51.0	40.8	32.6	27.2	C	
		1.5	0.83	249	199	166	125	99.6	83.0	62.3	49.8	39.8	33.2	C	
		2.0	0.96	288	230	192	144	115	96.0	72.0	57.6	46.1	38.4	M	
		3.0	1.18	354	283	236	177	142	118	88.5	70.8	56.6	47.2	M	
		4.0	1.36	408	326	272	204	163	136	102	81.6	65.3	54.4	M	
		5.0	1.52	456	365	304	228	182	152	114	91.2	73.0	60.8	F	
YELLOW	QJ90-2XTT11002-VP (50 MESH)	1.0	0.91	273	218	182	137	109	91.0	68.3	54.6	43.7	36.4	C	
		1.5	1.12	336	269	224	168	134	112	84.0	67.2	53.8	44.8	C	
		2.0	1.29	387	310	258	194	155	129	96.8	77.4	61.9	51.6	C	
		3.0	1.58	474	379	316	237	190	158	119	94.8	75.8	63.2	M	
		4.0	1.82	546	437	364	273	218	182	137	109	87.4	72.8	M	
		5.0	2.04	612	490	408	306	245	204	153	122	97.9	81.6	M	
VIOLET	QJ90-2XTT110025-VP (50 MESH)	1.0	1.14	342	274	228	171	137	114	85.5	68.4	54.7	45.6	VC	
		1.5	1.39	417	334	278	209	167	139	104	83.4	66.7	55.6	C	
		2.0	1.61	483	386	322	242	193	161	121	96.6	77.3	64.4	C	
		3.0	1.97	591	473	394	296	236	197	148	118	94.6	78.8	M	
		4.0	2.27	681	545	454	341	272	227	170	136	109	90.8	M	
		5.0	2.54	762	610	508	381	305	254	191	152	122	102	M	
BLUE	QJ90-2XTT11003-VP (50 MESH)	1.0	1.37	411	329	274	206	164	137	103	82.2	65.8	54.8	VC	
		1.5	1.68	504	403	336	252	202	168	126	101	80.6	67.2	C	
		2.0	1.94	582	466	388	291	233	194	146	116	93.1	77.6	C	
		3.0	2.37	711	569	474	356	284	237	178	142	114	94.8	C	
		4.0	2.74	822	658	548	411	329	274	206	164	132	110	M	
		5.0	3.06	918	734	612	459	367	306	230	184	147	122	M	
RED	QJ90-2XTT11004-VP (50 MESH)	1.0	1.82	546	437	364	273	218	182	137	109	87.4	72.8	XC	
		1.5	2.23	669	535	446	335	268	223	167	134	107	89.2	VC	
		2.0	2.58	774	619	516	387	310	258	194	155	124	103	C	
		3.0	3.16	948	758	632	474	379	316	237	190	152	126	C	
		4.0	3.65	1095	876	730	548	438	365	274	219	175	146	C	
		5.0	4.08	1224	979	816	612	490	408	306	245	196	163	M	
BROWN	QJ90-2XTT11005-VP (50 MESH)	1.0	2.28	684	547	456	342	274	228	171	137	109	91.2	XC	
		1.5	2.79	837	670	558	419	335	279	209	167	134	112	VC	
		2.0	3.23	969	775	646	485	388	323	242	194	155	129	VC	
		3.0	3.95	1185	948	790	593	474	395	296	237	190	158	C	
		4.0	4.56	1368	1094	912	684	547	456	342	274	219	182	C	
		5.0	5.10	1530	1224	1020	765	612	510	383	306	245	204	C	
GRAY	QJ90-2XTT11006-VP (50 MESH)	1.0	2.74	822	658	548	411	329	274	206	164	132	110	XC	
		1.5	3.35	1005	804	670	503	402	335	251	201	161	134	VC	
		2.0	3.87	1161	929	774	581	464	387	290	232	188	155	VC	
		3.0	4.74	1422	1138	948	711	569	474	356	284	228	190	C	
		4.0	5.47	1641	1313	1094	821	656	547	410	328	263	219	C	
		5.0	6.12	1836	1469	1224	918	734	612	459	367	294	245	C	
WHITE	QJ90-2XTT11008-VP (50 MESH)	1.0	3.65	1095	876	730	548	438	365	274	219	175	146	XC	
		1.5	4.47	1341	1073	894	671	536	447	335	268	215	179	VC	
		2.0	5.16	1548	1238	1032	774	619	516	387	310	248	206	VC	
		3.0	6.32	1896	1517	1264	948	758	632	474	379	303	253	C	
		4.0	7.30	2190	1752	1460	1095	876	730	548	438	350	292	C	
		5.0	8.16	2448	1958	1632	1224	979	816	612	490	392	326	C	
6.0	8.94	2682	2146	1788	1341	1073	894	671	536	429	358	M			

TABULATION BASED ON SPRAYING WATER AT 21° C.

# Turbo TeeJet Duo

DUAL POLYMER FLAT SPRAY TIPS WITH **VistFlo** COLOR CODING

SPRAY ANGLE	OPTIMUM SPRAY HEIGHT	
	50 cm SPACING	75 cm SPACING
110°	50 cm	75 cm



**FEATURES:**

- DUAL, ANGLED SPRAY PATTERNS HELP TO BETTER PENETRATE CROP CANOPY AND PROVIDE THOROUGH LEAF COVERAGE.
- PARTICULARLY WELL SUITED FOR FUNGICIDE APPLICATION.
- QJ90-2-NYR ADAPTER UTILIZES QUICK TEEJET INLET AND OUTLET CONNECTIONS FOR FAST AND EASY INSTALLATION.
- QJ90-2-NYR ADAPTER FEATURES A 90° INCLUDED ANGLE BETWEEN OUTLETS. WHEN USED WITH TURBO TEEJET TIP (IN ORIENTATION SHOWN) ANGLE BETWEEN SPRAY PATTERNS IS REDUCED TO 60° DUE TO THE 15° OFFSET IN SPRAY PATTERN OF EACH TURBO TEEJET TIP.
- OFFERS IMPROVED PENETRATION AND COVERAGE AS COMPARED TO A SINGLE FLAT SPRAY TIP OF EQUAL CAPACITY. OFFERS LARGER DROPLET SIZE AND IMPROVED DRIFT CONTROL AS COMPARED TO A STANDARD TWINJET (TJ60) SPRAY TIP OF EQUAL CAPACITY.
- BODY AND CAPS CONSTRUCTED OF NYLON. TURBO TEEJET TIP MADE OF ACETAL FOR EXCELLENT WEAR LIFE AND CHEMICAL RESISTANCE.
- QUICK TEEJET CAPS ARE COLOR CODED TO MATCH VISIFLO COLOR CODING OF SPRAY TIP.
- IDEAL FOR USE WITH AUTOMATIC SPRAY CONTROLS.
- RECOMMENDED OPERATING RANGE: 1-6 BAR. QJ90-2-NYR ADAPTER RATED TO 20 BAR.

**TYPICAL APPLICATIONS:**

- EXCELLENT FOR FUNGICIDE APPLICATIONS - TYPICAL PRESSURES OF 3 BAR AND HIGHER.
- EXCELLENT FOR POST-EMERGE CONTACT HERBICIDE APPLICATIONS - TYPICAL PRESSURES OF 3 BAR AND HIGHER.
- VERY GOOD FOR POST-EMERGE SYSTEMIC HERBICIDE APPLICATIONS - MINIMUM PRESSURE OF 1 BAR.

DESCRIPTION:  
LITERS PER HECTARE TABULATION  
FOR QJ90-2XTT110\_\_\_-VP  
TURBO TEEJET DUO  
SPRAY TIP ASSEMBLY  
(METRIC)



**Spraying Systems Co.**  
Spray Nozzles and Accessories  
P.O. Box 7900 - Wheaton, IL 60189-7900

Rev. No. 2

Ref.

DATA SHEET

63492M

SHEET OF