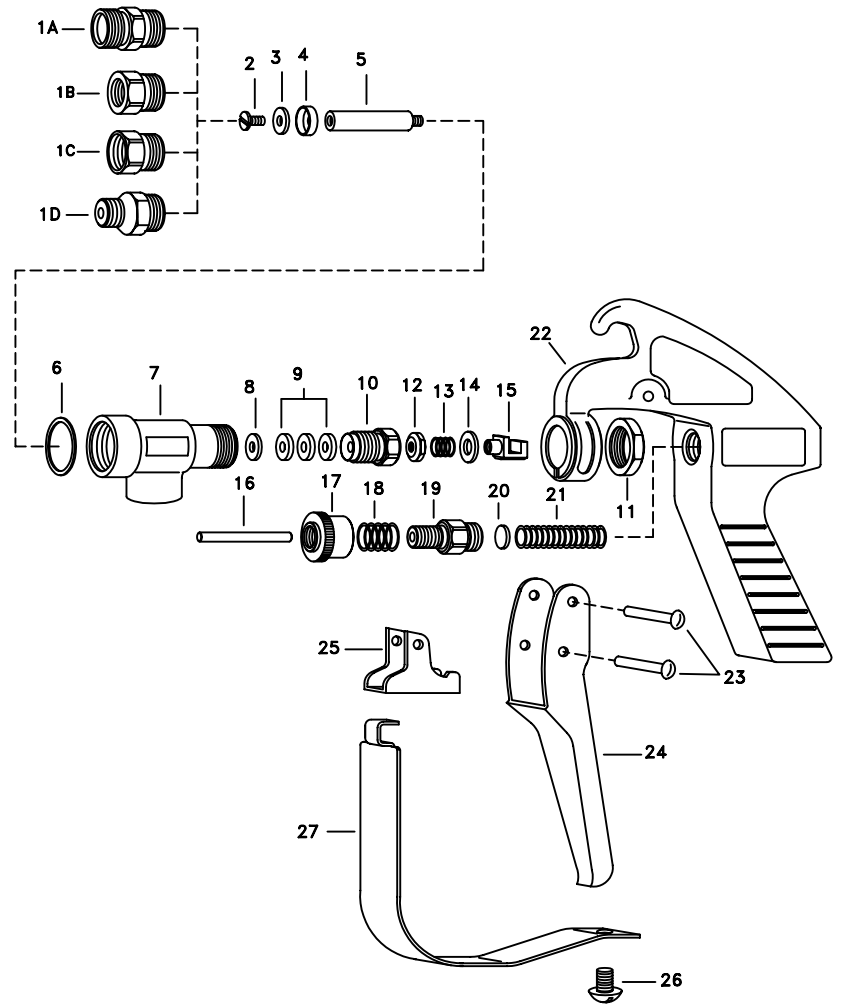


ITEM	PART NO.	DESCRIPTION
1A	CP6865-SS	3/4T Adapter, Type 303 Stainless Steel (For AA43_B-SS GunJet® Spray Gun)
1B	CP6866-1/2-SS	1/2 Pipe Adapter, Type 303 Stainless Steel (For AA43_C1/2-SS GunJet® Spray Gun)
1C	CP6866-3/4-SS	3/4 Pipe Adapter, Type 303 Stainless Steel (For AA43_C3/4-SS GunJet® Spray Gun)
1D	CP6867-SS	1/4T Adapter, Type 303 Stainless Steel (For AA43_D-SS GunJet® Spray Gun)
2	CP19268-SS	6-32 x 3/8" Screw, Stainless Steel
* 3	CP6710-TEF	Seat Plate, Teflon
4	CP6863-SS	Seat Holder, Type 303 Stainless Steel
5	CP6864-416SS	Stem, Type 416 Stainless Steel
6	CP7079-304SS	Adapter Gasket, Type 304 Stainless Steel
7	CP6492-316SS	Inlet Body, Type 316 Stainless Steel
8	CP6601-302SS	Packing Washer, Type 302 Stainless Steel
* 9	CP6602-TEF	Packing, Teflon (3 Req'd)
10	CP19237-SS	Packing Screw, Type 303 Stainless Steel
11	CP6599-SS	Locknut, Type 303 Stainless Steel
12	CP7709-302SS	Washer, Type 302 Stainless Steel
13	CP6595-SS	Trigger Stop Spring, Stainless Steel
14	CP7991-SS	Washer, Stainless Steel
15	CP6597-INP	Trigger Guide, Steel, Nickel Plated
16	CP6591-SS	Spring Stud, Type 303 Stainless Steel
17	CP6589-IZP	Stop Adjusting Nut, Steel, Zinc Plated
18	CP6594-SS	Spring for Stop Adjusting Nut, Stainless Steel
19	CP6588-IZP	Spring Screw, Steel, Zinc Plated
20	CP6592-302SS	Spring Guide Washer, Type 302 Stainless Steel
21	CP6593-1-SS	Main Spring, Stainless Steel (For AA43L_--SS GunJet® Spray Gun (Low Pressure))
	CP6593-2-SS	Main Spring, Stainless Steel (For AA43H_--SS GunJet® Spray Gun (High Pressure))
22	CP14477-1-AL	GunJet Body, Aluminum
23	CP7623-IZP	Rivet, Steel, Zinc Plated (2 Req'd)
24	CP6509-INP	Trigger, Steel, Nickel Plated
25	CP6510-INP	Trigger Stop, Steel, Nickel Plated
26	CP11757-SS	Screw, Stainless Steel
27	CP13798-INP	Trigger Guard, Steel, Nickel Plated



DESCRIPTION:
 No. AA43_B-SS, AA43_C1/2-SS
 AA43_C3/4-SS, & AA43_D-SS,
 GunJet® SPRAY GUNS
 STAINLESS STEEL VERSION



Spraying Systems Co.®
 Spray Nozzles and Accessories
 P.O. Box 7900 - Wheaton, IL 60189-7900

Rev. No.

Ref.

Parts List No.
 PL 43B, C, D-SS
 SHEET OF