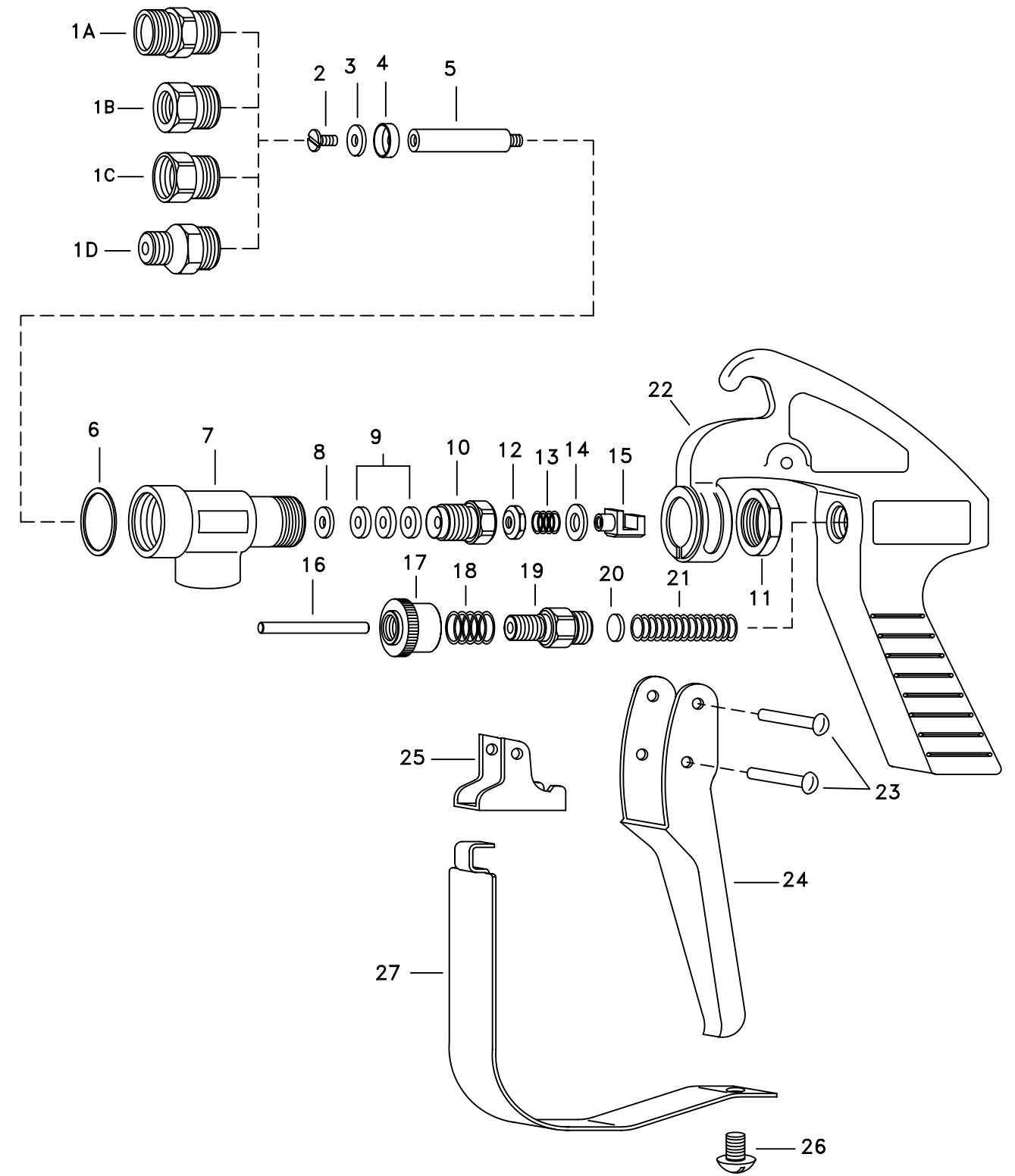



ITEM	PART NO.		DESCRIPTION
	BRASS	ALUMINUM	
1A	CP6865	CP6865-AL	No. 43B 3/4T Adapter, Brass or Aluminum
1B	CP6866-1/2	CP6866-1/2-AL	No. 43C 1/2 Pipe Adapter, Brass or Aluminum
1C	CP6866-3/4	CP6866-3/4-AL	No. 43C 3/4 Pipe Adapter, Brass or Aluminum
1D	CP6867	CP6867-AL	No. 43D 1/4T Adapter, Brass or Aluminum
2	CP19268-SS	CP19268-SS	6-32 x 3/8" Screw, Stainless Steel
*	3	CP6710-TEF	Seat Plate, Teflon
4	CP6863	CP6863-AL	Seat Holder, Brass or Aluminum
5	CP6864-416SS	CP6864-416SS	Stem, Type 416 Stainless Steel
6	CP7079-AL	CP7079-AL	Adapter Gasket, Aluminum
7	CP6492	CP6492-AL	Inlet Body, Brass or Aluminum
8	CP6601-302SS	CP6601-302SS	Packing Washer, Type 302 Stainless Steel
*	9	CP6602-LEA	Packing, Leather (3 Req'd)
10	CP19237	CP19237-AL	Packing Screw, Brass or Aluminum
11	CP6599	CP6599-NP	Locknut, Brass or Brass, Nickel Plated
12	CP7709-302SS	CP7709-302SS	Washer, Type 302 Stainless Steel
13	CP6595-SS	CP6595-SS	Trigger Stop Spring, Stainless Steel
14	CP7991-SS	CP7991-SS	Washer, Stainless Steel
15	CP6597-INP	CP6597-INP	Trigger Guide, Steel, Nickel Plated
16	CP6591-SS	CP6591-SS	Spring Stud, Stainless Steel
17	CP6589-IZP	CP6589-IZP	Stop Adjusting Nut, Steel, Zinc Plated
18	CP6594-SS	CP6594-SS	Spring for Stop Adjusting Nut, Stainless Steel
19	CP6588-IZP	CP6588-IZP	Spring Screw, Steel, Zinc Plated
20	CP6592-302SS	CP6592-302SS	Spring Guide Washer, Type 302 Stainless Steel
21	CP6593-1-SS	CP6593-1-SS	Main Spring, Stainless Steel (for Model #43--L)
	CP6593-2-SS	CP6593-2-SS	Main Spring, Stainless Steel (for Model #43--H)
22	CP14477-1-AL	CP14477-1-AL	GunJet Body, Aluminum
23	CP7623-IZP	CP7623-IZP	Rivet, Steel, Zinc Plated (2 Req'd)
24	CP6509-INP	CP6509-INP	Trigger, Steel, Nickel Plated
25	CP6510-INP	CP6510-INP	Trigger Stop, Steel, Nickel Plated
26	CP11757-SS	CP11757-SS	Screw, Stainless Steel
27	CP13798-INP	CP13798-INP	Trigger Guard, Steel, Nickel Plated



- No. AA43LB GunJet® Spray Gun, Brass or Aluminum (For Pressures up to 125 PSI)
- No. AA43HB GunJet® Spray Gun, Brass or Aluminum (For Pressures from 125 to 800 PSI)
- No. AA43LC-1/2 GunJet® Spray Gun, Brass or Aluminum (For Pressures up to 125 PSI)
- No. AA43HC-1/2 GunJet® Spray Gun, Brass or Aluminum (For Pressures from 125 to 800 PSI)
- No. AA43LC-3/4 GunJet® Spray Gun, Brass or Aluminum (For Pressures up to 125 PSI)
- No. AA43HC-3/4 GunJet® Spray Gun, Brass or Aluminum (For Pressures from 125 to 800 PSI)
- No. AA43LD GunJet® Spray Gun, Brass or Aluminum (For Pressures up to 125 PSI)
- No. AA43HD GunJet® Spray Gun, Brass or Aluminum (For Pressures from 125 to 800 PSI)
- AB43B-KIT Spare Parts Kit (Includes all items marked with *)
- AB43C-KIT Spare Parts Kit (Includes all items marked with *)
- AB43D-KIT Spare Parts Kit (Includes all items marked with *)

DESCRIPTION:
 NO. AA43B, C1/2, C3/4 & D
 GUNJET® SPRAY GUNS



Spraying Systems Co.®

Spray Nozzles and Accessories
 P.O. Box 7900 - Wheaton, IL 60189-7900

Rev. No.	Parts List No.
Ref.	PL 43B, C, D
	SHEET OF