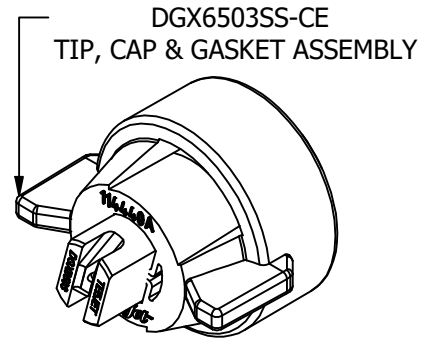
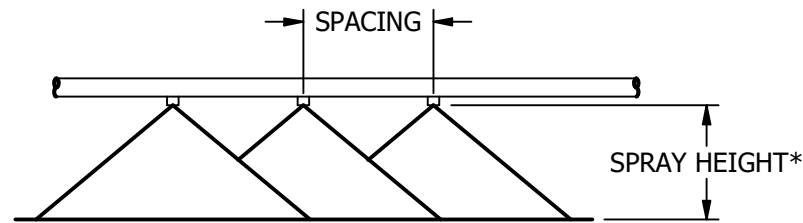


# DGX65 TeeJet®

**X** SERIES TARGET SPRAY  
**DRIFT GUARD**  
**FLAT SPRAY TIPS**

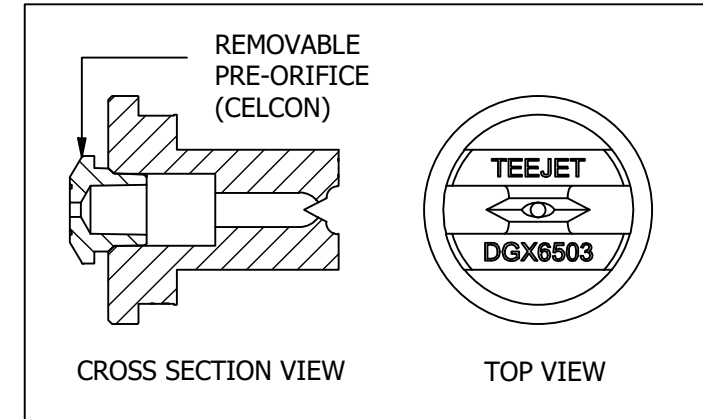


DROPLET SIZE CATEGORIES		
VC	XC	UC
VERY COARSE	EXTREMELY COARSE	ULTRA COARSE

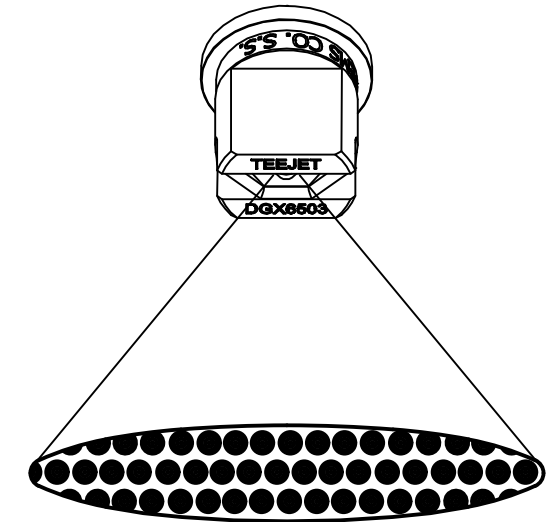


\*ADJUST SPRAY HEIGHT IN THE FIELD TO OVERLAP  
 MINIMUM 30% OF EACH EDGE PATTERN

SUGGESTED MINIMUM SPRAY HEIGHT	
SPRAY ANGLE	SPRAY HEIGHT
65°	10" SPACING 12" - 20"
	15" SPACING 17" - 30"



DGX65\_\_SS SPRAY TIP



**FEATURES:**

- DESIGNED FOR PRECISE APPLICATION AND SUPERIOR COVERAGE IN TARGET SPRAYING APPLICATIONS
- OPTIMIZED FOR APPLICATIONS THAT MAY INCLUDE NARROW SPACING, LOW BOOM HEIGHTS, AND OTHER TARGET SPRAY USES WHERE NARROW ANGLES ARE PREFERRED
- NARROW SPRAY ANGLES DELIVER CONCENTRATED COVERAGE ON THE INTENDED TARGET, MINIMIZING OVER SPRAY AND REDUCING WASTE ON NON-TARGET AREAS
- AVAILABLE IN 65° SPRAY ANGLE
- TAPERED EDGE FLAT SPRAY PATTERN FOR UNIFORM COVERAGE WHEN ADJACENT NOZZLE PATTERNS ARE OVERLAPPED IN BROADCAST SPRAYING
- INCREASED DROPLET SIZE COMPARED TO STANDARD DG TIP
- PRE-ORIFICE DESIGN WITH VISIFLO® COLOR CODING PRODUCES LARGE DROPLETS TO REDUCE DRIFT AND MINIMIZE OFF TARGET SPRAY CONTAMINATION
- SUPERIOR WEAR CHARACTERISTICS
- SUGGESTED SPRAY PRESSURE RANGE: 20-70 PSI (1.5-5.0 BAR)
- AUTOMATIC ALIGNMENT WITH 114441A-\*-CELR QUICK TEEJET CAP AND GASKET WITH VISIFLO COLOR CODING
- ORDER DGX65\_\_SS-CE FOR TIP, CAP & GASKET COMBO

**TYPICAL APPLICATIONS:**

- EXCELLENT FOR POST-EMERGENCE HERBICIDES

TIP COLOR	TIP NO. (STRAINER SCREEN SIZE)	LIQUID PRESSURE IN PSI	DROPLET SIZE	CAPACITY 1 NOZZLE IN GPM	CAPACITY 1 NOZZLE IN OZ/MIN	GALLONS PER ACRE (15" TIP SPACING)															
						4 MPH	6 MPH	8 MPH	10 MPH	12 MPH	14 MPH	16 MPH	18 MPH	20 MPH	22 MPH	24 MPH					
BLUE	DGX6503SS (50 MESH)	20	UC	0.21	27	21	13.9	10.4	8.3	6.9	5.9	5.2	4.6	4.2	3.8	3.5					
		30	UC	0.26	33	26	17.2	12.9	10.3	8.6	7.4	6.4	5.7	5.1	4.7	4.3					
		40	XC	0.30	38	30	19.8	14.9	11.9	9.9	8.5	7.4	6.6	5.9	5.4	5.0					
		50	XC	0.34	44	34	22	16.8	13.5	11.2	9.6	8.4	7.5	6.7	6.1	5.6					
		60	XC	0.37	47	37	24	18.3	14.7	12.2	10.5	9.2	8.1	7.3	6.7	6.1					
RED	DGX6504SS (50 MESH)	20	UC	0.28	36	28	18.5	13.9	11.1	9.2	7.9	6.9	6.2	5.5	5.0	4.6					
		30	XC	0.35	45	35	23	17.3	13.9	11.6	9.9	8.7	7.7	6.9	6.3	5.8					
		40	XC	0.40	51	40	26	19.8	15.8	13.2	11.3	9.9	8.8	7.9	7.2	6.6					
		50	XC	0.45	58	45	30	22	17.8	14.9	12.7	11.1	9.9	8.9	8.1	7.4					
		60	VC	0.49	63	49	32	24	19.4	16.2	13.9	12.1	10.8	9.7	8.8	8.1					
BROWN	DGX6505SS (50 MESH)	20	UC	0.35	45	35	23	17.3	13.9	11.6	9.9	8.7	7.7	6.9	6.3	5.8					
		30	XC	0.43	55	43	28	21	17.0	14.2	12.2	10.6	9.5	8.5	7.7	7.1					
		40	XC	0.50	64	50	33	25	19.8	16.5	14.1	12.4	11.0	9.9	9.0	8.3					
		50	XC	0.56	72	55	37	28	22	18.5	15.8	13.9	12.3	11.1	10.1	9.2					
		60	VC	0.61	78	60	40	30	24	20	17.3	15.1	13.4	12.1	11.0	10.1					
GREY	DGX6506SS (50 MESH)	20	UC	0.42	54	42	28	21	16.6	13.9	11.9	10.4	9.2	8.3	7.6	6.9					
		30	XC	0.52	67	51	34	26	21	17.2	14.7	12.9	11.4	10.3	9.4	8.6					
		40	XC	0.60	77	59	40	30	24	19.8	17.0	14.9	13.2	11.9	10.8	9.9					
		50	VC	0.67	86	66	44	33	27	22	19.0	16.6	14.7	13.3	12.1	11.1					
		60	VC	0.73	93	72	48	36	29	24	21	18.1	16.1	14.5	13.1	12.0					
70	VC	0.79	101	78	52	39	31	26	22	19.6	17.4	15.6	14.2	13.0							

TABULATION BASED ON SPRAYING WATER AT 70° F

<b>DESCRIPTION:</b> GALLONS PER ACRE TABULATION FOR DGX65__SS TEEJET® DRIFT GUARD FLAT SPRAY TIP		
	REVISION NO. 1	Data Sheet No. <b>DSDGX65</b>
	REFERENCE: 4/15/25	SHEET: 1 OF 1 DWG SIZE: B