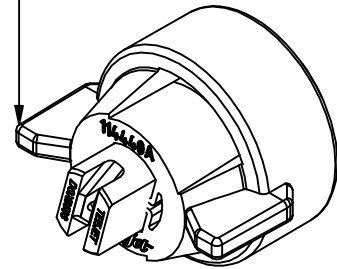


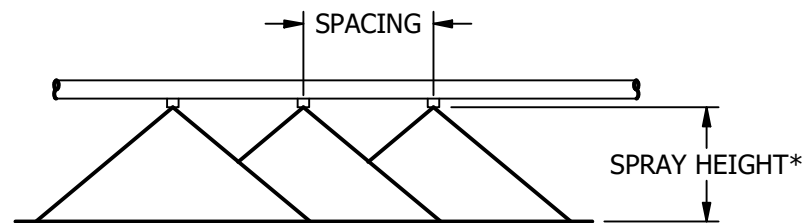
# DGX65 TeeJet®

**X** SERIES TARGET SPRAY  
**DRIFT GUARD**  
**FLAT SPRAY TIPS**

DGX6503SS-CE  
 TIP, CAP & GASKET ASSEMBLY

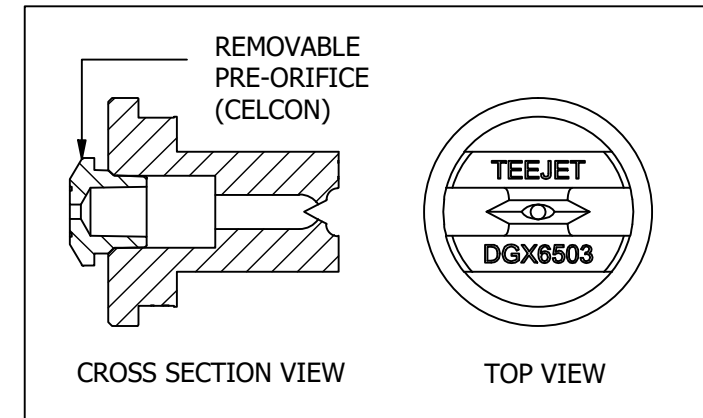


DROPLET SIZE CATEGORIES		
VC	XC	UC
VERY COARSE	EXTREMELY COARSE	ULTRA COARSE

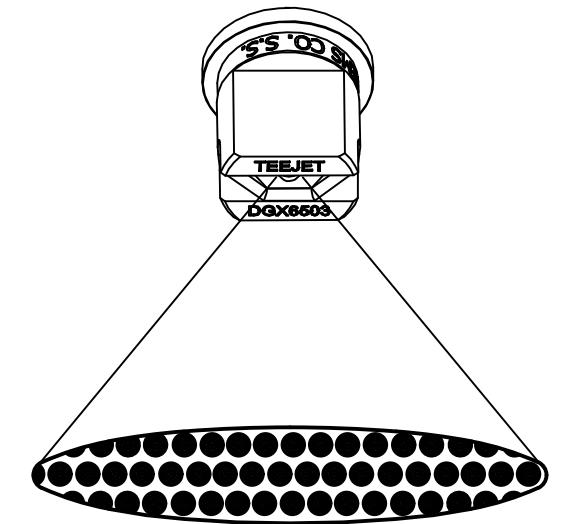


\*ADJUST SPRAY HEIGHT IN THE FIELD TO OVERLAP  
 MINIMUM 30% OF EACH EDGE PATTERN

SUGGESTED MINIMUM SPRAY HEIGHT	
SPRAY ANGLE	SPRAY HEIGHT
65°	25 CM SPACING 30 CM - 50 CM
	40 CM SPACING 40 CM - 75 CM



DGX65\_\_SS SPRAY TIP



FLAT SPRAY PATTERN

**FEATURES:**

- DESIGNED FOR PRECISE APPLICATION AND SUPERIOR COVERAGE IN TARGET SPRAYING APPLICATIONS
- OPTIMIZED FOR APPLICATIONS THAT MAY INCLUDE NARROW SPACING, LOW BOOM HEIGHTS, AND OTHER TARGET SPRAY USES WHERE NARROW ANGLES ARE PREFERRED
- NARROW SPRAY ANGLES DELIVER CONCENTRATED COVERAGE ON THE INTENDED TARGET, MINIMIZING OVER SPRAY AND REDUCING WASTE ON NON-TARGET AREAS
- AVAILABLE IN 65° SPRAY ANGLE
- TAPERED EDGE FLAT SPRAY PATTERN FOR UNIFORM COVERAGE WHEN ADJACENT NOZZLE PATTERNS ARE OVERLAPPED IN BROADCAST SPRAYING
- INCREASED DROPLET SIZE COMPARED TO STANDARD DG TIP
- PRE-ORIFICE DESIGN WITH VISIFLO® COLOR CODING PRODUCES LARGE DROPLETS TO REDUCE DRIFT AND MINIMIZE OFF TARGET SPRAY CONTAMINATION
- SUPERIOR WEAR CHARACTERISTICS
- SUGGESTED SPRAY PRESSURE RANGE: 1.5-5.0 BAR (20-70 PSI)
- AUTOMATIC ALIGNMENT WITH 114441A-\*-CELR QUICK TEEJET CAP AND GASKET WITH VISIFLO COLOR CODING
- ORDER DGX65\_\_SS-CE FOR TIP, CAP & GASKET COMBO

**TYPICAL APPLICATIONS:**

- EXCELLENT FOR POST-EMERGENCE HERBICIDES

TIP COLOR	TIP NO. (STRAINER SCREEN SIZE)	LIQUID PRESSURE IN BAR	DROPLET SIZE	CAPACITY 1 NOZZLE IN L/MIN	LITERS PER HECTARE (40 CM TIP SPACING)										
					4 KM/H	6 KM/H	8 KM/H	10 KM/H	12 KM/H	14 KM/H	16 KM/H	18 KM/H	20 KM/H	22 KM/H	24 KM/H
BLUE	DGX6503SS (50 MESH)	1.5	UC	0.83	311	208	156	125	104	88.9	77.8	69.2	62.3	56.6	51.9
		2.0	UC	0.96	360	240	180	144	120	103	90.0	80.0	72.0	65.5	60.0
		3.0	XC	1.18	443	295	221	177	148	126	111	98.3	88.5	80.5	73.8
		4.0	XC	1.36	510	340	255	204	170	146	128	113	102	92.7	85.0
		5.0	VC	1.52	570	380	285	228	190	163	143	127	114	104	95.0
RED	DGX6504SS (50 MESH)	1.5	UC	1.12	420	280	210	168	140	120	105	93.3	84.0	76.4	70.0
		2.0	XC	1.29	484	323	242	194	161	138	121	108	96.8	88.0	80.6
		3.0	XC	1.58	593	395	296	237	198	169	148	132	119	108	98.8
		4.0	VC	1.82	683	455	341	273	228	195	171	152	137	124	114
		5.0	VC	2.04	765	510	383	306	255	219	191	170	153	139	128
BROWN	DGX6505SS (50 MESH)	1.5	UC	1.39	521	348	261	209	174	149	130	116	104	94.8	86.9
		2.0	UC	1.61	604	403	302	242	201	173	151	134	121	110	101
		3.0	XC	1.97	739	493	369	296	246	211	185	164	148	134	123
		4.0	VC	2.27	851	568	426	341	284	243	213	189	170	155	142
		5.0	VC	2.54	953	635	476	381	318	272	238	212	191	173	159
GREY	DGX6506SS (50 MESH)	1.5	UC	1.68	630	420	315	252	210	180	158	140	126	115	105
		2.0	XC	1.94	728	485	364	291	243	208	182	162	146	132	121
		3.0	XC	2.37	889	593	444	356	296	254	222	198	178	162	148
		4.0	VC	2.74	1028	685	514	411	343	294	257	228	206	187	171
		5.0	VC	3.06	1148	765	574	459	383	328	287	255	230	209	191

TABULATION BASED ON SPRAYING WATER AT 21°C

**DESCRIPTION:**

LITERS PER HECTARE  
 TABULATION FOR  
 DGX65\_\_SS TEEJET®  
 DRIFT GUARD  
 FLAT SPRAY TIP (METRIC)



REVISION NO.	1	Data Sheet No.	
REFERENCE:	4/15/25	DSDGX65M	
SHEET:	1 OF 1	DWG SIZE:	B