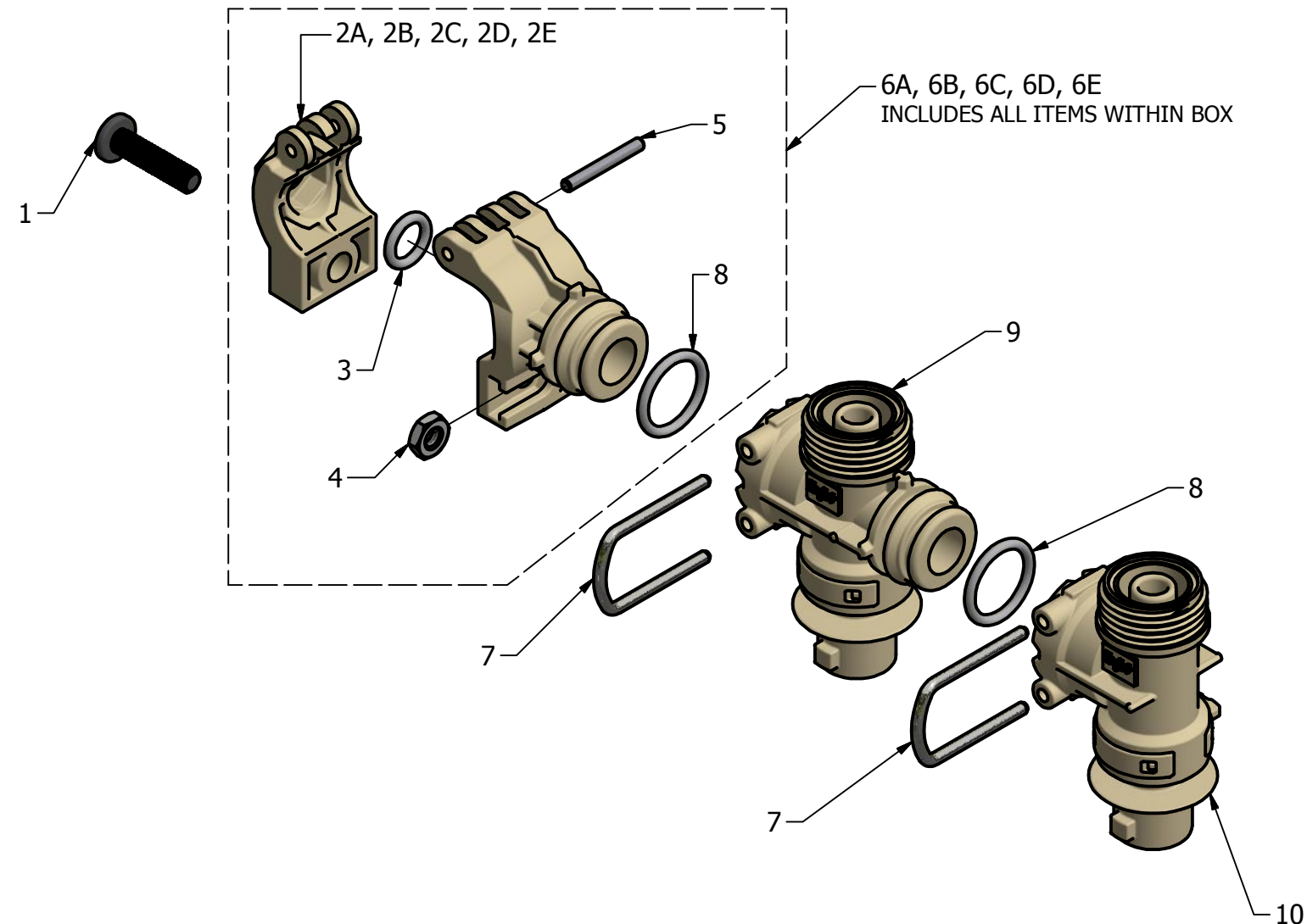
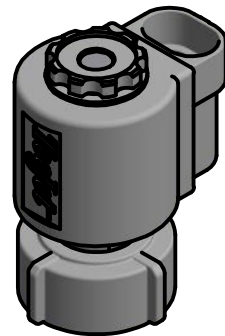


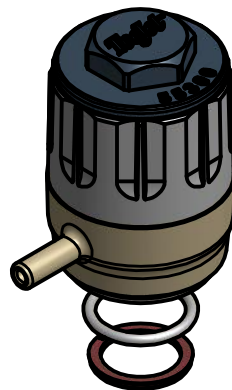
ITEM	PART NO.	DESCRIPTION
1	CP98523-SS	PAN HEAD SCREW, STAINLESS STEEL
2A	CP58588-NYB	20mm UPPER CLAMP, NYLON (BLACK)
2B	CP58588-2-NYB	1/2" UPPER CLAMP, NYLON (BLACK)
2C	CP58588-3-NYB	3/4" UPPER CLAMP, NYLON (BLACK)
2D	CP58588-4-NYB	1" UPPER CLAMP, NYLON (BLACK)
2E	CP58588-5-NYB	25mm UPPER CLAMP, NYLON (BLACK)
3	CP7717-2/110-VI	O-RING, VITON
4	CP98522-SS	M6 X 1mm METRIC HEX NUT, STAINLESS STEEL
5	CP48256-SS	PIVOT PIN, STAINLESS STEEL
6A	58576-20mm-NYB	20mm SIDE MOUNT SUB-ASSY., NYLON (BLACK)
6B	58576-1/2-NYB	1/2" SIDE MOUNT SUB-ASSY., NYLON (BLACK)
6C	58576-3/4-NYB	3/4" SIDE MOUNT SUB-ASSY., NYLON (BLACK)
6D	58576-1-NYB	1" SIDE MOUNT SUB-ASSY., NYLON (BLACK)
6E	58576-25mm-NYB	25mm SPLIT EYELET SIDE MOUNT SUB-ASSY., NYLON (BLACK)
7	CP58457-304SS	BYPASS RETAINING CLIP, STAINLESS STEEL
8	CP7717-2/116-VI	O-RING, VITON
9	58573-NYB	MIDDLE BODY SUB-ASSY., NYLON (BLACK)
10	58566-NYB	END BODY SUB-ASSY., NYLON (BLACK)



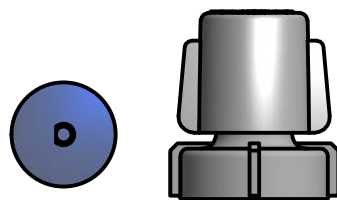
CHEMSAVER® CHECK VALVE OPTIONS



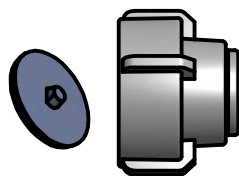
55295-4-12 E-CHEMSAVER®
 55295-4-24 E-CHEMSAVER®
 CP58589-VI GASKET, VITON®



55300-1 QJS AIR CHEMSAVER®
 CP58589-VI GASKET, VITON®
 CP7717-2/116-VI O-RING, VITON®

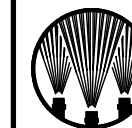


58140-NYB MANUAL SHUTOFF
 CP56709-VI DIAPHRAGM



58577 END CAP SUBASSEMBLY
 CP56709-VI DIAPHRAGM

DESCRIPTION:
 QJS-S STACKABLE QUICK TEEJET®
 SIDE MOUNT NOZZLE BODY



Spraying Systems Co.®
 Spray Nozzles and Accessories
 P.O. Box 7900 - Wheaton, IL 60189-7900

REVISION NO.

REFERENCE:

PARTS LIST
PLQJS-S-WB
 SHEET: 1 OF 1 DWG SIZE: B