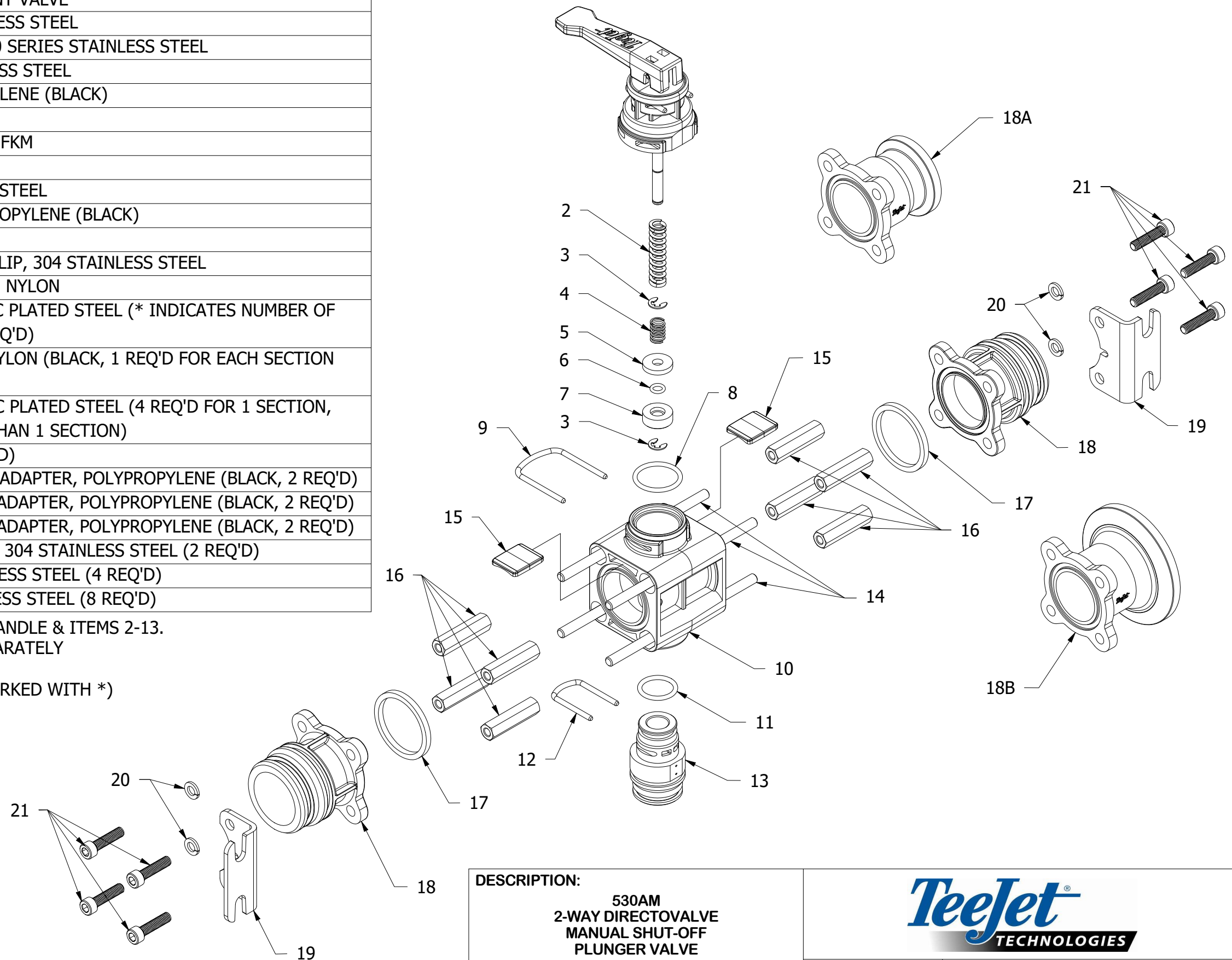


ITEM	PART NUMBER	DESCRIPTION
1	115871	MANUAL REPLACEMENT VALVE
2	N/A	SPRING, 17-7 STAINLESS STEEL
3*	SEE REPAIR KIT	RETAINING RING, 400 SERIES STAINLESS STEEL
4*	SEE REPAIR KIT	SPRING, 316 STEINLESS STEEL
5*	SEE REPAIR KIT	WASHER, POLYPROPYLENE (BLACK)
6*	SEE REPAIR KIT	O-RING, FKM
7*	SEE REPAIR KIT	STEM SEAT WASHER, FKM
8	CP7717-2/120-VI	O-RING, FKM
9	CP115569-SS	CLIP, 303 STAINLESS STEEL
10	CP115540-1-PP	VALVE BODY, POLYPROPYLENE (BLACK)
11	CP7717-2/116-VI	O-RING, FKM
12	CP58457-304SS	BYPASS RETAINING CLIP, 304 STAINLESS STEEL
13	CP115541-NYB	VALVE BODY OUTLET, NYLON
14	CP115548-*-IZP	THREADED ROD, ZINC PLATED STEEL (* INDICATES NUMBER OF SECTIONS, 2-15, 4 REQ'D)
15	CP115547-NYB	ALIGNMENT PIECE, NYLON (BLACK, 1 REQ'D FOR EACH SECTION MORE THAN 1)
16	CP115549-IZP	HEX STAND-OFF, ZINC PLATED STEEL (4 REQ'D FOR 1 SECTION, 8 REQ'D FOR MORE THAN 1 SECTION)
17	CP115562-VI	GASKET, FKM (2 REQ'D)
18	CP98497-PP	LQC BOLTED FLANGE ADAPTER, POLYPROPYLENE (BLACK, 2 REQ'D)
18A	CP98491-PP	F50 BOLTED FLANGE ADAPTER, POLYPROPYLENE (BLACK, 2 REQ'D)
18B	CP98490-PP	F75 BOLTED FLANGE ADAPTER, POLYPROPYLENE (BLACK, 2 REQ'D)
19	CP98498-SS	MOUNTING BRACKET, 304 STAINLESS STEEL (2 REQ'D)
20	CP45520-SS	WASHER, 302 STAINLESS STEEL (4 REQ'D)
21	CP37553-25-SS	SCREW, 18-8 STAINLESS STEEL (8 REQ'D)

NOTE: REPLACEMENT VALVE (ITEM 1) INCLUDES HANDLE & ITEMS 2-13.  
HANDLE UNAVAILABLE FOR PURCHASE SEPARATELY

AB530AM-2-KIT - REPAIR KIT (INCLUDES ITEMS MARKED WITH \*)



DESCRIPTION:  
530AM  
2-WAY DIRECTOVALVE  
MANUAL SHUT-OFF  
PLUNGER VALVE



REVISION NO.	1	Parts List No.	PL530AM-2
REFERENCE:	1/1/2021	SHEET:	1 OF 1
		DWG SIZE:	B