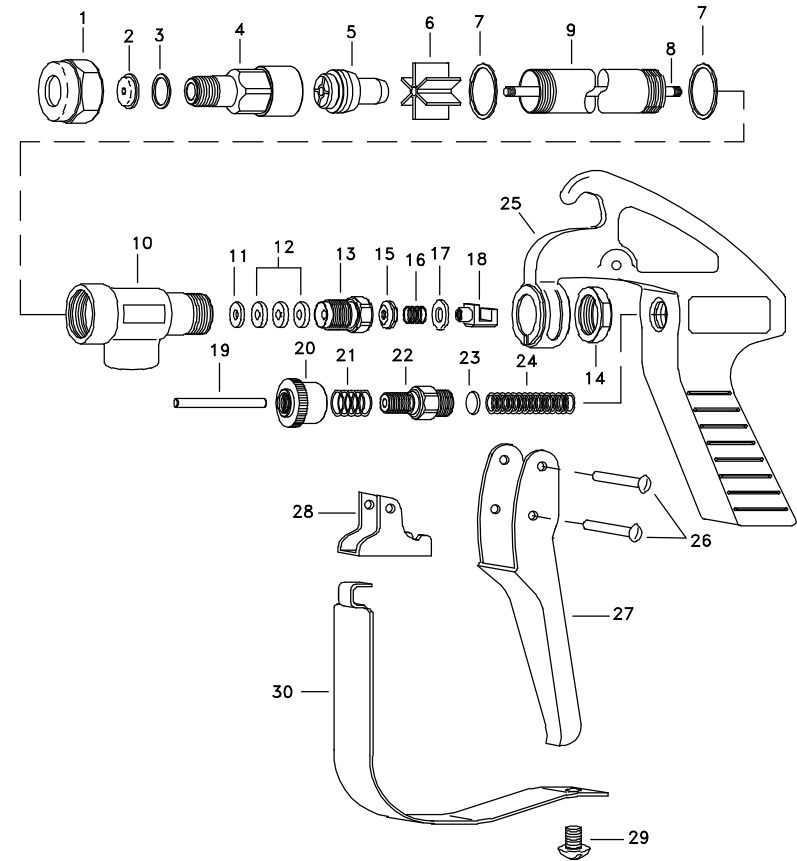


ITEM	PART NO.		DESCRIPTION
	BRASS	ALUMINUM	
1	CP1325	CP1325-AL	Cap, Brass or Aluminum
2	D-**	D-**	Orifice Disc, Hardened Stainless Steel
*	3	CP4743-NY	Gasket, Nylon
*	4	CP10566	Nozzle Housing, Brass or Aluminum
	5	10565	Seat Plug, Seat Plate, Washer & Core Sub-Assembly Brass Or Aluminum
	6	CP10571	Guide Vane, Brass or Aluminum
	7	CP6943-AL	Gasket, Aluminum (2 Req'd)
	8	CP19238-416SS	Stem, Type 416 Stainless Steel
	9	CP6604	Tubing, Brass or Aluminum
*	10	CP6492	Inlet Body, Brass or Aluminum
*	11	CP6601-302SS	Packing Washer, Type 302 Stainless Steel
	12	CP6602-LEA	Packing, Leather (3 Req'd), Standard
		CP6602-TEF	Packing, Teflon (3 Req'd), Optional
	13	CP19237	Packing Screw, Brass or Aluminum
	14	CP6599	Locknut, Brass or Steel, Zinc Plated
	15	CP9641-INP	Stem Nut, Steel, Nickel Plated
	16	CP6595-SS	Trigger Stop Spring, Stainless Steel
	17	CP7991-SS	Washer, Stainless Steel
	18	CP6597-INP	Trigger Guide, Steel, Nickel Plated
	19	CP6591-SS	Spring Stud, Stainless Steel
	20	CP6589-IZP	Stop Adjustment Nut, Steel, Zinc Plated
	21	CP6594-SS	Spring for Stop Adjustment Nut, Stainless Steel
	22	CP6588-IZP	Spring Screw, Steel, Zinc Plated
	23	CP6592-302SS	Spring Guide Washer, Type 302 Stainless Steel
	24	CP6593-1-SS	Main Spring, Stainless Steel (for Model #43L-)
		CP6593-2-SS	Main Spring, Stainless Steel (for Model #43H-)
	25	CP14477-1-AL	Handle Body, Aluminum
	26	CP7623-IZP	Rivet, Steel, Zinc Plated (2 Req'd)
	27	CP6509-INP	Trigger, Steel, Nickel Plated
	28	CP6510-INP	Trigger Stop, Steel, Nickel Plated
	29	CP11757-SS	Screw, Stainless Steel
	30	CP13798-INP	Trigger Guard, Steel, Nickel Plated

GunJet® No. AA43L - Brass, Complete, For Pressures up to 200 PSI
 GunJet® No. AA43L-AL - Aluminum, Complete, For Pressures up to 200 PSI
 GunJet No. AA43H - Brass, Complete, For Pressures from 200 to 800 PSI
 GunJet No. AA43H-AL - Aluminum, Complete, For Pressures from 200 to 800 PSI
 AB43-KIT Spare parts Kit (Includes all items marked with *)
 AB43-AL-KIT Spare parts Kit (Includes all items marked with *)
 ABCK43-KIT Conversion Kit for Adjustable Stem - Items 8, 13 & 15 (for Model #43--)
 ABCK43-AL-KIT Conversion Kit for Adjustable Stem - Items 8, 13 & 15 (for Model #43-AL--)

** Specify Orifice Disc Size



DESCRIPTION:
 AA43L & AA43H
 GUNJET SPRAY GUNS
 (13 INCH EXTENSION)
 (SPECIAL)



Spraying Systems Co.
 Spray Nozzles and Accessories
 P.O. Box 7900 - Wheaton, IL 60189-7900

Rev. No.

Ref.

Parts List No.
 PL 43 (SPECIAL)
 SHEET OF