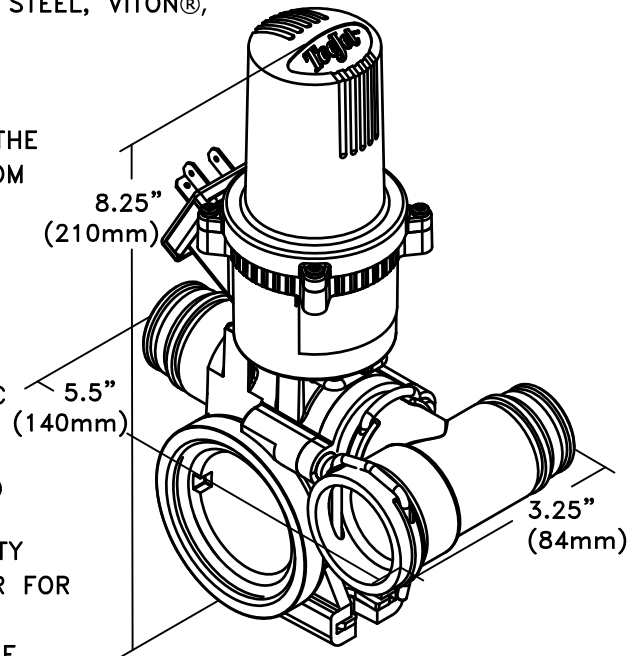


## SPECIFICATIONS:

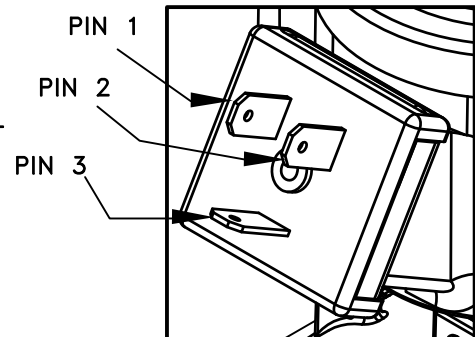
- MAXIMUM PRESSURE RATING: 215 PSI (15 BAR)
- FLOW RATE: 9.2 GPM (35 l/min) @ 5 PSI (.34 BAR) PRESSURE DROP
- FLOW RATE: 13.7 GPM (53 l/min) @ 10 PSI (.69 BAR) PRESSURE DROP
- CURRENT DRAW: LESS THAN 0.5 AMP AT 12 VDC
- RESPONSE TIME: 0.6 SECONDS
- WETTED MATERIALS: POLYPROPYLENE, STAINLESS STEEL, VITON®, AND TEFLON®

## FEATURES INCLUDE:

- UNIQUE FLOW BACK FEATURE ALLOWS BOOM PRESSURE TO BE RELIEVED WHEN VALVE IS IN THE "OFF" POSITION ALLOWING FOR MORE RAPID BOOM SHUT-OFF
- FASTER BOOM SHUT-OFF REDUCES CHANCES OF OVER-OR MIS-APPLICATION
- FLOW BACK PORT CAN BE FITTED WITH EXISTING TEEJET QUICK CONNECT FITTINGS
- BUILT IN MINI-DIN CONNECTOR
- "EC" STYLE MOTOR COMPATIBLE WITH AUTOMATIC BOOM SECTION CONTROLS
- MOTOR HEAD IS SEALED TO IP67
- QUICK RELEASE MOTOR HEAD ALLOWS FOR FIELD INSPECTION AND MANUAL VALVE ACTUATION
- ALL METAL GEARS FOR STRENGTH AND DURABILITY
- RESETTABLE INTERNAL FUSE (DISCONNECT POWER FOR 20 SECONDS TO RESET)
- "EC" STYLE MOTOR USES A SINGLE POLE, SINGLE THROW SWITCH
- "E" STYLE MOTOR USES A DOUBLE POLE, DOUBLE THROW SWITCH
- OUTLET CONNECTIONS AVAILABLE IN 90° OR STRAIGHT QUICK CONNECT HOSE BARBS, REFER TO PL45529
- STAINLESS STEEL STEM AND BALL PROVIDE EXCELLENT DURABILITY AND CHEMICAL RESISTANCE



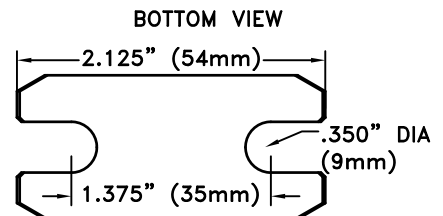
MINI-DIN WIRING



WIRING CHART

PIN TERMINAL	WIRING "EC"	WIRING "E"
1	(+) POS.	(+) POS.
2	(-) NEG.	(-) NEG.
3	SWITCHING	GROUND

MOUNTING BRACKET SPECS:



## ORDERING INFORMATION:

433EC-3FB-D: 3 VALVE MANIFOLD, 3-WAY FLOW BACK VALVES, MINI-DIN CABLE CONNECTION, SINGLE POLE SINGLE THROW  
 58480E\_---: MINI-DIN CABLE (SEE DS58480)

NOTE: FOR COMPLETE ORDERING INFORMATION REFER TO BULLETIN LITJ-126. FOR INLET CONNECTIONS REFER TO PL58456. FOR OUTLET CONNECTIONS REFER TO PL45529. FOR A PARTS LIST & A COMPLETE LIST OF REPLACEMENT KITS REFER TO PL430EC-2.

TEFLON® IS A TRADEMARK OF DUPONT COMPANY  
 VITON® IS A TRADEMARK OF DUPONT DOW ELASTOMERS

## DESCRIPTION:

430EC-3FB & 430E-3FB  
 FLOW BACK  
 DIRECTOVALVE®  
 ELECTRIC SHUT-OFF  
 BALL VALVE MANIFOLD

DESIGN COVERED BY  
 US PATENT #6189807



**Spraying Systems Co.®**

Spray Nozzles and Accessories  
 P.O. Box 7900 - Wheaton, Il. 60189-7900

Rev. No. 2

Ref. 10/13/2009

DATA SHEET  
**DS430EC-3FB**  
 SHEET OF