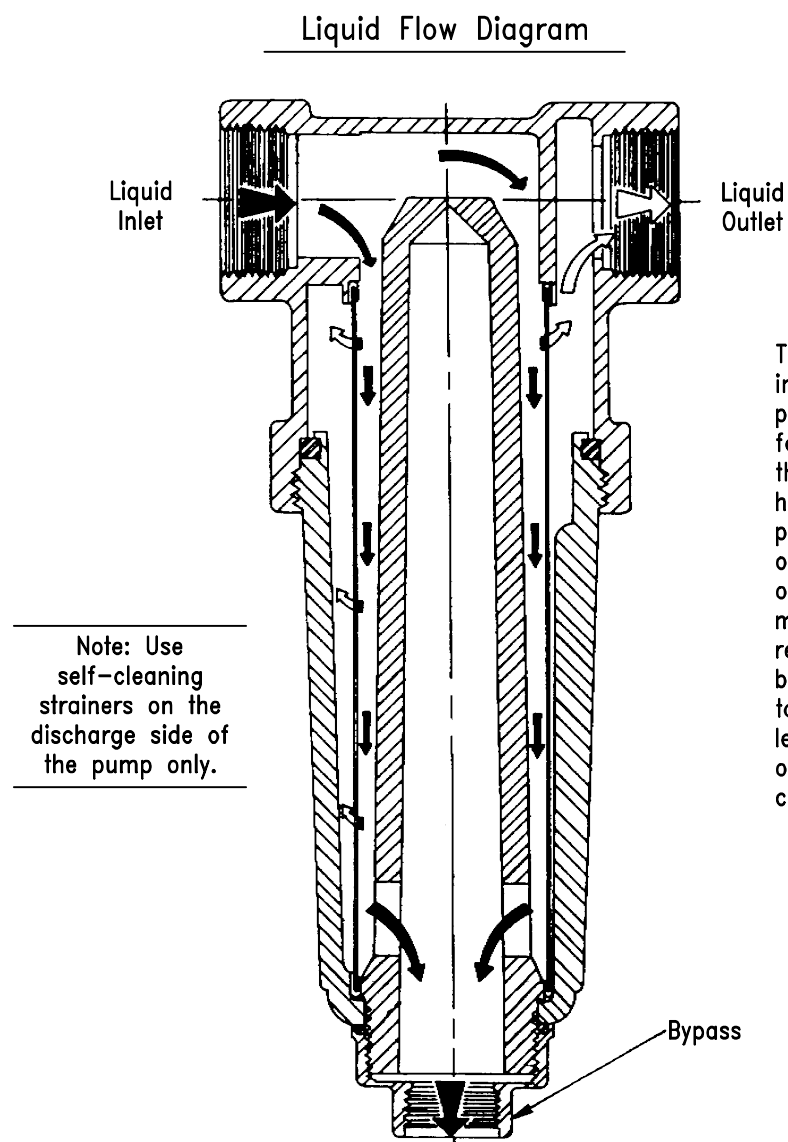


High velocity of liquid stream between cylinder and screen provides continuous wash down of particles to the bypass line



Note: Use self-cleaning strainers on the discharge side of the pump only.

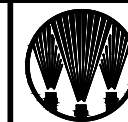
The tapered inner cylinder inside the entire length of the screen provides a gap between the screen face and the cylinder. This gap causes the inlet fluid to flow at a high velocity past the screen face providing for a continuous wash down of particles to the bypass line. In order for the wash down to occur, a minimum flow rate of 8 gpm is required through the bypass. The bypass line returns the particles back to the source tank where they can be leaned out once the spraying operation is complete.

Max. Recommended Pressure: 75 PSI (5 Bar) @ Temperature Of 100° F (38° C)

STRAINER NO.	PIPE CONN. (FEMALE)	SCREENS				NET WEIGHT
		MESH SIZE	OPENING	COLOR CODE	FULL AREA	
AA124-1-1/4SC-NYB	1-1/4" NPT	16	.045" (1.1 mm)	None	41 Sq. In. (264cm ²)	1 lb.14 oz. (851 g)
AAB124-1-1/4SC-NYB	1-1/4" BSPT	30	.021" (0.53 mm)	Flame Red		
AA124-1-1/2SC-NYB	1-1/2" NPT	50	.011" (0.28 mm)	Gentian Blue		
AAB124-1-1/2SC-NYB	1-1/2" BSPT	80	.007" (0.18 mm)	Zinc Yellow		

Description:

No. AA_124-1-1/4SC-NYB &
No. AA_124-1-1/2SC-NYB
Self-Cleaning Liquid Strainers



Spraying Systems Co.®

Spray Nozzles and Accessories
P.O. Box 7900 - Wheaton, IL 60187-7901

Rev. No. 2

Ref.

Data Sheet No.

124-SC-NYB
Sheet Of