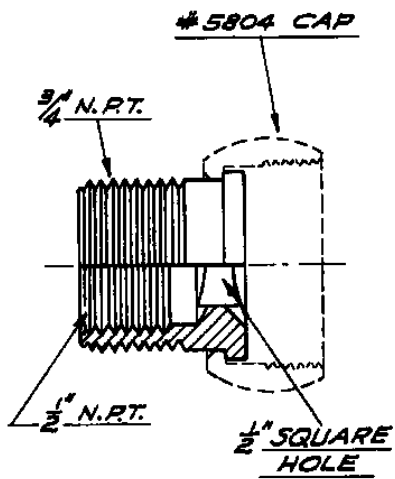
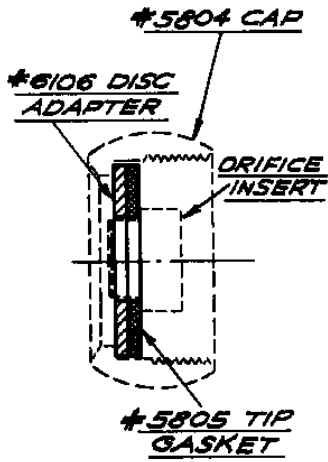


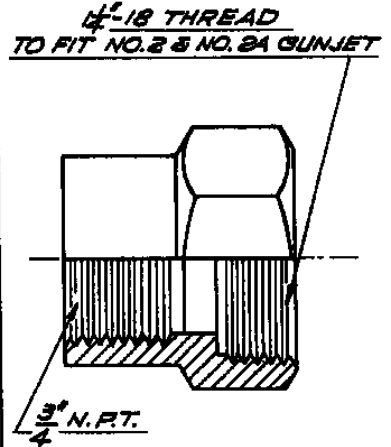
ADAPTERS FOR NO. 2 & NO. 2A GUNJETS



NO. 5924 ADAPTER

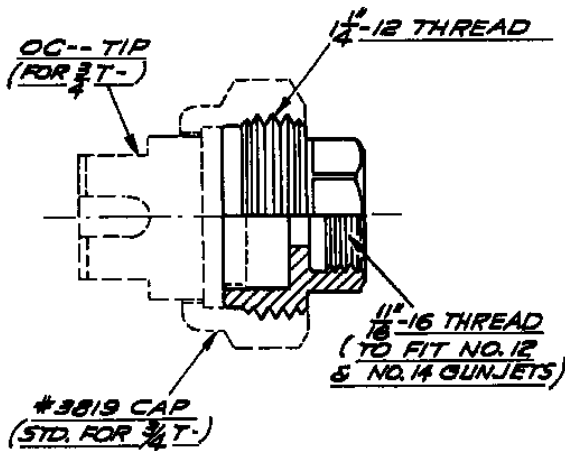


NO. 6106 DISC ADAPTER

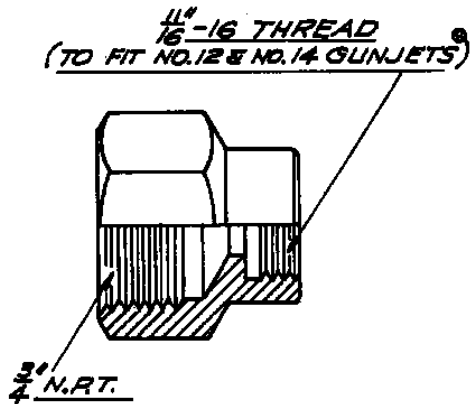


NO. 6407 ADAPTER

ADAPTERS FOR NO. 12 & NO. 14 GUNJETS



NO. 6237 ADAPTER



NO. 6308 ADAPTER

DESCRIPTION:
ADAPTERS FOR
GUNJETS NO. 2, 2A, 12 & 14



Spraying Systems Co.®

Spray Nozzles and Accessories
P.O. Box 7900 - Wheaton, Il. 60189-7900

Rev. No.

Data Sheet No.

Ref.

6448

SHEET OF