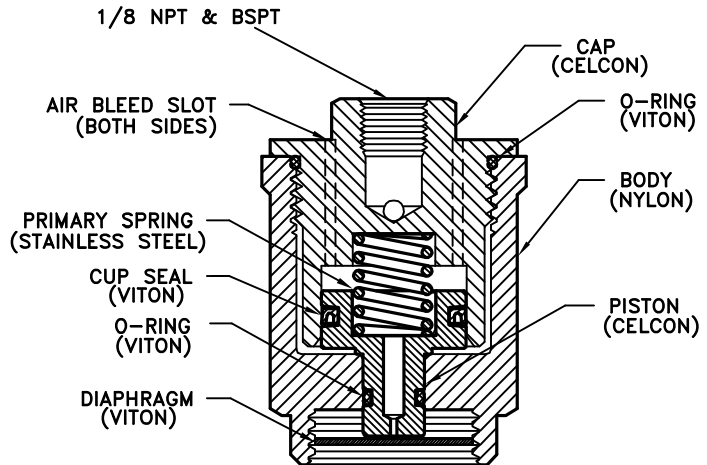
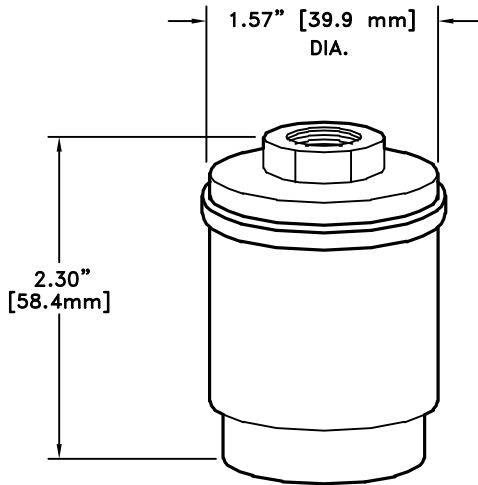
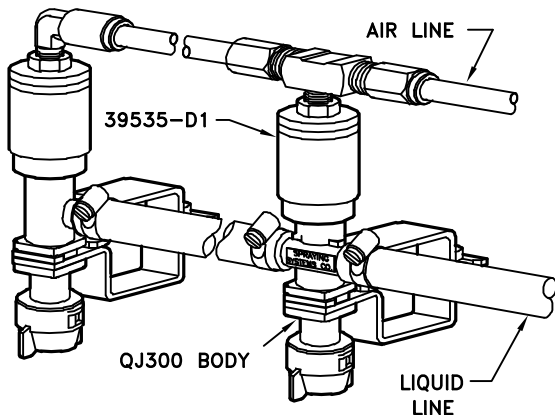


THE 39535-D1-1/8 AIR CHEMSAVER IS DESIGNED AS A PNEUMATIC SHUT-OFF VALVE FOR USE ON QUICK TEEJET NOZZLE ASSEMBLIES. AIR PRESSURE IS USED TO OPEN THE VALVE AND A SPRING IS USED TO CLOSE THE VALVE.



**MATERIALS**

- MATERIALS EXPOSED TO AIR: STAINLESS STEEL, VITON®, CELCON® AND NYLON.
- MATERIALS EXPOSED TO SYSTEM FLUID: VITON AND NYLON.



TYPICAL NOZZLE BODY ASSEMBLY

**PNEUMATIC LINE**

- MINIMUM 45 PSI (3.1 Bar) OPENING AIR PRESSURE.
- $2.1 \times 10^{-4}$  CF/CYCLE ( $5.9 \times 10^{-3}$  L/CYCLE) AIR CONSUMPTION PER 39535 VALVE.
- 39535-D1 REPLACES DIAPHRAGM AND CHECK VALVE END CAP ASSEMBLY.
- 39535-D1 VALVE IS NORMALLY CLOSED.

**SYSTEM FLUID**

- MAXIMUM 120 PSI (8 Bar) LIQUID PRESSURE.
- MUST BE COMPATIBLE WITH VITON AND NYLON.

**DESCRIPTION:**

(B)39535-D1-1/8  
DIAPHRAGM TYPE  
AIR CHEMSAVER®  
SHUT-OFF VALVE  
(NPT & BSPT CONNECTION)



**Spraying Systems Co.®**

Spray Nozzles and Accessories  
P.O. Box 7900 - Wheaton, IL 60189-7900

Rev. No.

Ref.

Data Sheet No.

39535-D1

SHEET OF