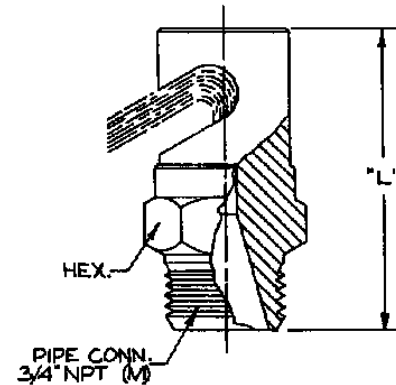


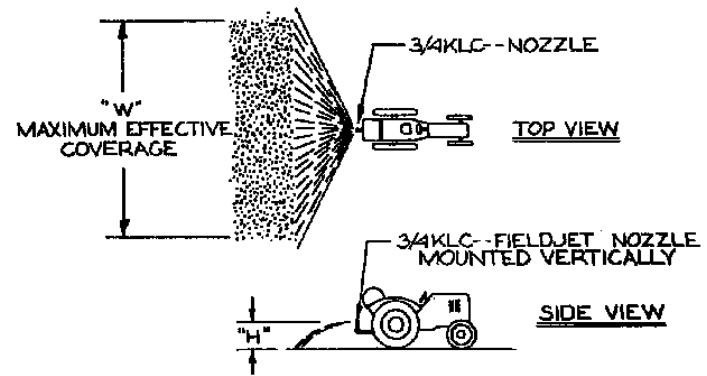
NOZZLE DESCRIPTION				LIQUID PRESS. IN kPa	CAPACITY IN L/min	"H" mm	"W" m	LITERS PER HECTARE					
NOZZLE NO.	HEX mm	ORIFICE DIA. mm	"L" mm					6 Km/h	8 Km/h	10 Km/h	12 Km/h	22 Km/h	32 Km/h
3/4KLC 50	31.8	5.9	68	100	22.8	460	5.3	430	325	260	215	117	81
				150	27.9		5.9	475	355	285	225	129	88
				200	32.2		6.6	480	365	295	245	133	92
				250	36.0		7.0	515	385	310	255	140	96
				100	22.8	610	5.6	405	305	245	204	111	76
				150	27.9		6.4	435	325	260	207	114	82
				200	32.2		7.0	460	345	275	230	126	86
				250	36.0		7.5	480	360	285	240	131	90
				100	22.8	760	6.4	355	265	215	178	97	67
				150	27.9		7.0	400	300	240	189	109	75
				200	32.2		7.5	430	320	260	215	117	81
				250	36.0		7.9	460	340	275	230	124	85
100	22.8	915	6.7	340	255	205	170	93	64				
150	27.9		7.5	370	280	225	177	102	70				
200	32.2		7.9	410	305	245	205	111	76				
250	36.0		8.4	430	320	255	215	117	80				
3/4KLC 72	31.8	7.1	68	100	32.8	460	5.8	565	425	340	285	154	106
				150	40.2		6.4	630	470	375	315	171	118
				200	46.4		7.0	665	495	400	330	181	124
				250	51.9		7.3	710	535	425	355	194	133
				100	32.8	610	6.1	540	405	325	270	147	101
				150	40.2		6.9	585	435	350	290	159	109
				200	46.4		7.6	610	460	365	305	167	115
				250	51.9		8.1	640	480	385	320	175	120
				100	32.8	760	6.4	515	385	310	255	140	96
				150	40.2		7.2	560	420	335	280	152	105
				200	46.4		7.9	585	440	350	295	160	110
				250	51.9		8.5	610	460	365	305	167	115
100	32.8	915	7.0	470	350	280	235	128	88				
150	40.2		7.9	510	380	305	255	139	95				
200	46.4		8.2	565	420	340	283	154	106				
250	51.9		9.1	570	430	342	285	156	107				
3/4KLC 108	34.9	8.7	73	100	49.2	460	6.5	755	570	455	380	205	142
				150	60.3		7.5	805	605	480	400	220	151
				200	69.6		8.2	850	635	510	425	230	159
				250	77.8		9.0	865	650	520	430	235	162
				100	49.2	610	6.9	715	535	430	355	195	134
				150	60.3		7.9	765	575	460	380	210	143
				200	69.6		8.7	800	600	480	400	220	150
				250	77.8		9.3	835	630	500	420	230	157
				100	49.2	760	7.0	705	530	420	350	192	132
				150	60.3		8.4	720	540	430	360	196	135
				200	69.6		9.3	750	560	450	375	205	140
				250	77.8		10.0	780	585	465	390	210	146
100	49.2	915	7.5	655	490	395	330	179	123				
150	60.3		8.5	709	530	425	354	193	133				
200	69.6		9.8	710	533	426	355	194	134				
250	77.8		10.7	730	545	435	365	198	136				

TABULATION IS BASED ON SPRAYING WATER AT TEMPERATURE OF 20°C.
COVERAGES ARE BASED ON RIG BEING IN MOTION AT SPEEDS LISTED.

kPa = LIQUID PRESSURE IN KILOPASCAL
L/min = CAPACITY IN LITERS PER MINUTE
Km/h = SPEED OF RIG IN KILOMETERS PER HOUR



3/4KLC--NOZZLES ARE AVAILABLE IN BRASS AND STAINLESS STEEL.



DESCRIPTION:
LITERS PER HECTARE
3/4KLC--FIELDJET NOZZLE
(METRIC)



Spraying Systems Co.
Spray Nozzles and Accessories
P.O. Box 7900 - Wheaton, IL 60189-7900

Rev. No.

Data Sheet No.

17941-1

Ref.

SHEET OF