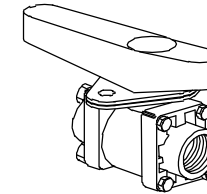
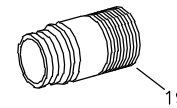
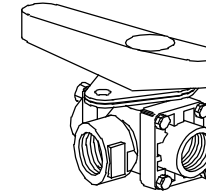


ITEM	PART NO.	DESCRIPTION	
1	CP20131-EPR	Handle Plug, EPR Rubber	
2	CP20123-3/4-430SS	Slotted Hex. Washer Screw, Type 430 Stainless Steel	
3	CP20116-PP	Handle, Polypropylene (Gray)	
4	CP20127-SS	Self-Clinching Stud, Stainless Steel (2 Req'd)	
5	CP20117-NYB	Mounting Plate, Nylon (Black)	
*	6	CP20125-TEF	Thrust Washer, Teflon
*	7	CP26251-NYB	Ball Valve Stem, Nylon (Black)
*	8	CP7717-M12X2.5-VI	O'Ring, Viton (3 req'd)
9	CP20101-NYB	Body, Nylon (Black) (For AA(B)344M-2--)	
9A	CP20102-3/4-NYB	Body, Nylon (Black) (For AA344M-3-3/4) (NPT)	
	CP20102-1-NYB	Body, Nylon (Black) (For AA344M-3-1 & -3-Q) (NPT)	
	CPB20102-3/4-NYB	Body, Nylon (Black) (For AAB344M-3-3/4) (BSPT)	
	CPB20102-1-NYB	Body, Nylon (Black) (For AAB344M-3-1) (BSPT)	
* 10	CP20126-FELT	Dust Plug, Dense Felt	
* 11	CP20564-VI	Gasket, Viton (2 Req'd)	
* 12	CP20103-TEF	Seal, Teflon (2 Req'd)	
* 13	CP7717-2/213-VI	O'Ring, Viton (2 Req'd)	
14	CP20104-3/4-NYB	End Cap, Nylon (Black) (3/4" NPT) (2 Req'd)	
	CP20104-1-NYB	End Cap, Nylon (Black) (1" NPT) (2 Req'd)	
	CPB20104-3/4-NYB	End Cap, Nylon (Black) (3/4" BSPT) (2 Req'd)	
	CPB20104-1-NYB	End Cap, Nylon (Black) (1" BSPT) (2 Req'd)	
14A	CP45514-NYB	Quick Connect End Cap, Nylon (Black) (2 Req'd)	
15	CP20129-SS	Hex Head Cap Screw, Stainless Steel (4 Req'd)	
16	CP8535-SS	Hex Nut, Stainless Steel (6 Req'd)	
17	CP20128-SS	Lock Washer, Stainless Steel (6 Req'd)	
18	CP20106-PP	Ball, Polypropylene (2-Way)	
18A	CP20109-PP	Ball, Polypropylene (3-Way)	
19	CP45526-NYB	1" Threaded to Quick Connect Outlet, Nylon (Black)	
AB344-2-KIT, Spare Parts Kit (Includes all items marked with * and item 18)			
AB344-3-KIT, Spare Parts Kit (Includes all items marked with * and item 18A)			
AA(B)344M-2-3/4, Two-Way Manual Ball Valve (3/4" Connections)			
AA(B)344M-2-1, Two-Way Manual Ball Valve (1" Connections)			
AA344M-2-Q, Two-Way Manual Ball Valve (Quick Connect)			
AA(B)344M-3-3/4, Three-Way Manual Ball Valve (3/4" Connections)			
AA(B)344M-3-1, Three-Way Manual Ball Valve (1" Connections)			
AA344M-3-Q, Three-Way Manual Ball Valve (Quick Connect)			

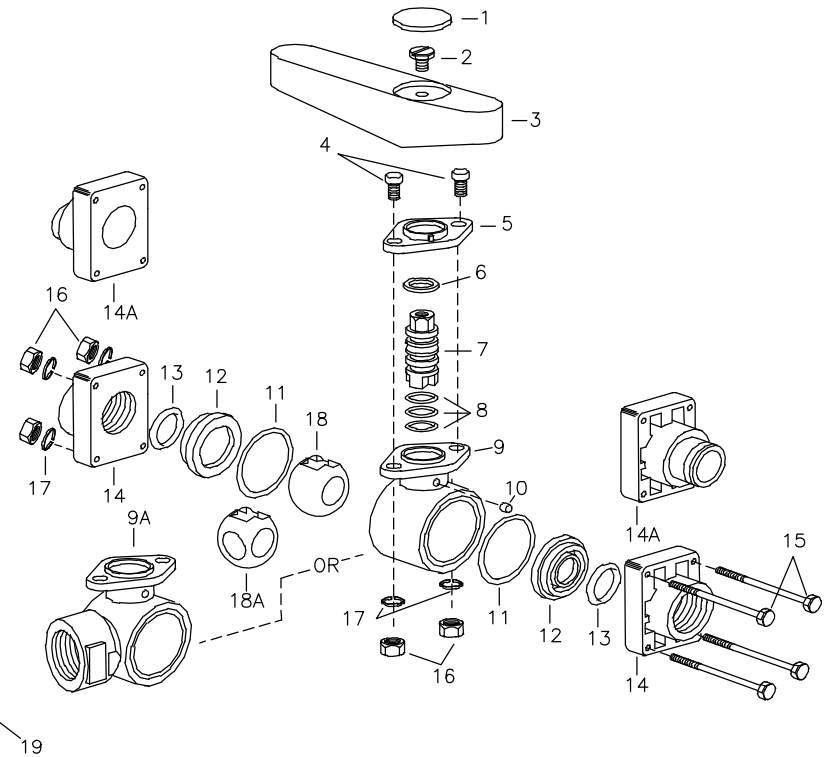
NOTE: (B) IN PART NUMBER INDICATES BSPT INLET AND OUTLET CONNECTIONS



AA(B)344M-2--



AA(B)344M-3--



**DESCRIPTION:**  
AA(B)344M-2-3/4, -1 & -Q  
AA(B)344M-3-3/4, -1 & -Q  
2- AND 3-WAY MANUAL  
CONTROL BALL VALVES  
(NPT & BSPT AND  
QUICK CONNECT CONN.)  
(NYLON CONSTRUCTION)



**Spraying Systems Co.**  
Spray Nozzles and Accessories  
P.O. Box 7900 - Wheaton, IL 60189-7900

Rev. No. 2

Ref.

Parts List No.

**PL 344M**

SHEET OF