

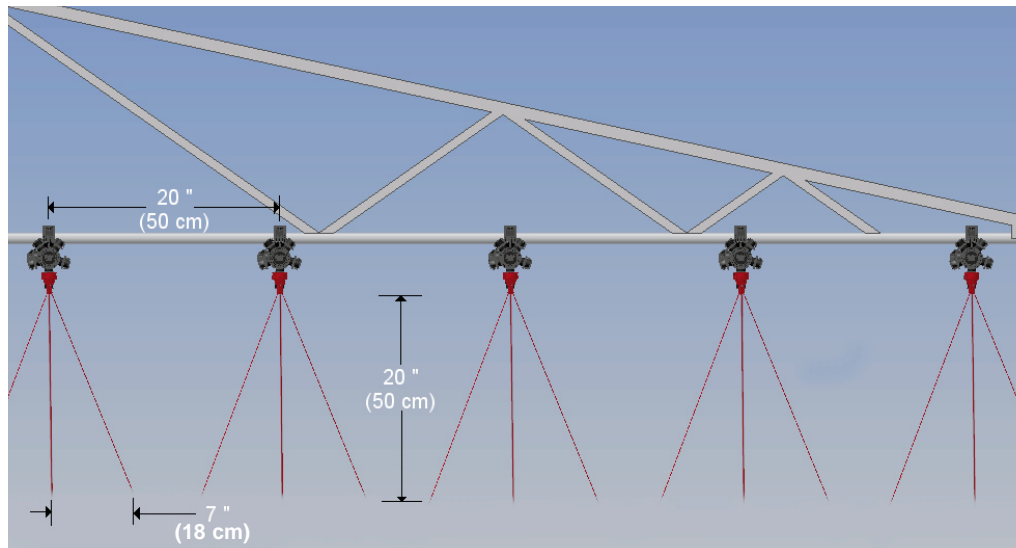
StreamJet®

SJ3 Solid Stream Spray Tips



SJ3 StreamJet Features

- Creates three identical fluid streams of equal velocity and capacity
- Uniform distribution at 20" (50 cm) height and 20" (50 cm) tip spacing
- Removable metering orifice for easy cleaning
- Comes in a variety of sizes for a wide range of application rates
- VisiFlo® color coding for easy capacity identification
- All acetal construction for good chemical resistance
- Fits into standard Quick TeeJet® cap (sold separately)
- Recommended operating pressure 20-60 psi (1.5-4.0 bar)



The SJ3 StreamJet spray tip is designed to accurately apply liquid fertilizer at evenly spaced intervals. Its design uses a metering orifice with a deflector to ensure an equal flow rate in each of the liquid streams throughout a wide range of operating pressures.

Coming in nine capacities, the SJ3 StreamJet facilitates a wide variety of application rates. ISO color coding is used to easily identify the capacity of each tip and match it to its pre-orifice. The pre-orifice assures consistent flow rates and can be removed for easy cleaning.

The SJ3 is constructed of a durable acetal material that has excellent wear characteristics. The tip fits into a commonly-used Quick TeeJet cap (CP25597) for quick attachment to the nozzle body and automatic alignment.

Note Calibrate your sprayer before every application by measuring the output of each tip. When using a carrier other than water, be sure to correct for variation in fluid density. Contact your local TeeJet distributor for additional information.

TeeJet®

There's no better way to spray

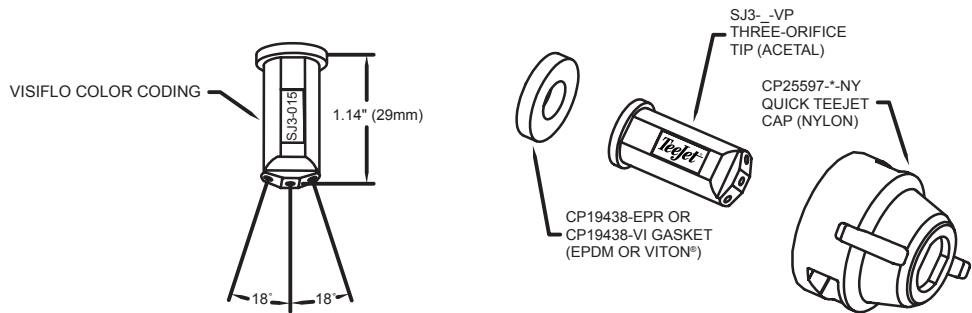
Technical Specifications

and Application Information

Tip Color VisiFlo	Tip No. (Strainer Mesh Size)	Liquid Pressure (psi)	Capacity 1 Nozzle (GPM)	GPA - 20" Tip Spacing								Liquid Pressure (bar)	Capacity 1 Nozzle (l/min)	l/ha - 50cm Spacing							
				3 mph	4 mph	5 mph	6 mph	8 mph	10 mph	12 mph	4 km/h			6 km/h	8 km/h	10 km/h	12 km/h	16 km/h	20 km/h		
GREEN	SJ3-015-VP (100)	20	0.11	10.9	8.2	6.5	5.4	4.1	3.3	2.7	1.5	0.44	132	88.0	66.0	52.8	44.0	33.0	26.4		
		30	0.13	12.9	9.7	7.7	6.4	4.8	3.9	3.2	2.0	0.50	150	100	75.0	60.0	50.0	37.5	30.0		
		40	0.15	14.9	11.1	8.9	7.4	5.6	4.5	3.7	3.0	0.58	174	116	87.0	69.6	58.0	43.5	34.8		
		60	0.17	16.8	12.6	10.1	8.4	6.3	5.0	4.2	4.0	0.65	195	130	97.5	78.0	65.0	48.8	39.0		
YELLOW	SJ3-02-VP (50)	20	0.14	13.9	10.4	8.3	6.9	5.2	4.2	3.5	1.5	0.57	171	114	85.5	68.4	57.0	42.8	34.2		
		30	0.17	16.8	12.6	10.1	8.4	6.3	5.0	4.2	2.0	0.64	192	128	96.0	76.8	64.0	48.0	38.4		
		40	0.20	19.8	14.9	11.9	9.9	7.4	5.9	5.0	3.0	0.78	234	156	117	93.6	78.0	58.5	46.8		
		60	0.22	22	16.3	13.1	10.9	8.2	6.5	5.4	4.0	0.85	255	170	128	102	85.0	63.8	51.0		
BLUE	SJ3-03-VP (50)	20	0.24	24	17.8	14.3	11.9	8.9	7.1	5.9	1.5	0.91	273	182	137	109	91.0	68.3	54.6		
		30	0.27	27	20	16.0	13.4	10.0	8.0	6.7	2.0	1.01	303	202	152	121	101	75.8	60.6		
		40	0.30	30	22	17.8	14.9	11.1	8.9	7.4	3.0	1.18	354	236	177	142	118	88.5	70.8		
		60	0.35	35	26	21	17.3	13.0	10.4	8.7	4.0	1.31	393	262	197	157	131	98.3	78.6		
RED	SJ3-04-VP (50)	20	0.30	30	22	17.8	14.9	11.1	8.9	7.4	1.5	1.17	351	234	176	140	117	87.8	70.2		
		30	0.36	36	27	21	17.8	13.4	10.7	8.9	2.0	1.32	396	264	198	158	132	99.0	79.2		
		40	0.40	40	30	24	19.8	14.9	11.9	9.9	3.0	1.56	468	312	234	187	156	117	93.6		
		60	0.47	47	35	28	23	17.4	14.0	11.6	4.0	1.75	525	350	263	210	175	131	105		
BROWN	SJ3-05-VP (50)	20	0.36	36	27	21	17.8	13.4	10.7	8.9	1.5	1.42	426	284	213	170	142	107	85.2		
		30	0.45	45	33	27	22	16.7	13.4	11.1	2.0	1.63	489	326	245	196	163	122	97.8		
		40	0.50	50	37	30	25	18.6	14.9	12.4	3.0	1.96	588	392	294	235	196	147	118		
		60	0.59	58	44	35	29	22	17.5	14.6	4.0	2.18	654	436	327	262	218	164	131		
GRAY	SJ3-06-VP (50)	20	0.42	42	31	25	21	15.6	12.5	10.4	1.5	1.69	507	338	254	203	169	127	101		
		30	0.54	53	40	32	27	20	16.0	13.4	2.0	1.97	591	394	296	236	197	148	118		
		40	0.60	59	45	36	30	22	17.8	14.9	3.0	2.40	720	480	360	288	240	180	144		
		60	0.70	69	52	42	35	26	21	17.3	4.0	2.63	789	526	395	316	263	197	158		
WHITE	SJ3-08-VP	20	0.56	55	42	33	28	21	16.6	13.9	1.5	2.32	696	464	348	278	232	174	139		
		30	0.72	71	53	43	36	27	21	17.8	2.0	2.74	822	548	411	329	274	206	164		
		40	0.80	79	59	48	40	30	24	19.8	3.0	3.13	939	626	470	376	313	235	188		
		60	0.94	93	70	56	47	35	28	23	4.0	3.50	1050	700	525	420	350	263	210		
LIGHT BLUE	SJ3-10-VP	20	0.65	64	48	39	32	24	19.3	16.1	1.5	2.73	819	546	410	328	273	205	164		
		30	0.90	89	67	53	45	33	27	22	2.0	3.30	990	660	495	396	330	248	198		
		40	1.00	99	74	59	50	37	30	25	3.0	3.91	1173	782	587	469	391	293	235		
		60	1.19	118	88	71	59	44	35	29	4.0	4.44	1332	888	666	533	444	333	266		
LIGHT GREEN	SJ3-15-VP	20	0.99	98	74	59	49	37	29	25	1.5	3.91	1173	782	587	469	391	293	235		
		30	1.24	123	92	74	61	46	37	31	2.0	4.64	1392	928	696	557	464	348	278		
		40	1.50	149	111	89	74	56	45	37	3.0	5.86	1758	1172	879	703	586	440	352		
		60	1.83	181	136	109	91	68	54	45	4.0	6.76	2028	1352	1014	811	676	507	406		

NOTE: Always double check your application rates.

APPLICATION DATA IS BASED ON SPRAYING WATER AT 70°F (21°C)



Optimum Spray Height	
Nozzle Spacing	Spray Height
20\"(50cm)	20\"(50cm)
30\"(75cm)	30\"(75cm)
40\"(100cm)	40\"(100cm)

* FOR BEST SPRAY DISTRIBUTION
MAINTAIN A 1:1 RATIO OF TIP
HEIGHT TO TIP SPACING.

TeeJet®

There's no better way to spray

Spraying Systems Co.
PO Box 7900
Wheaton, IL 60189-7900
www.teejet.com

Liquid Density Conversion Factors			Liquid Density Conversion Factors	
Weight of Solution	Specific Gravity	Conversion Factor	Density of Solution	Conversion Factor
7.0 lb / gal	0.84	0.92	0.84 kg/l	0.92
8.0 lb / gal	0.96	0.98	0.96 kg/l	0.98
8.34 lb / gal (Water)	1.00	1.00	1.00 kg/l (Water)	1.00
9.0 lb / gal	1.08	1.04	1.08 kg/l	1.04
10.0 lb / gal	1.20	1.10	1.20 kg/l	1.10
10.65 lb / gal (28% Nitrogen)	1.28	1.13	1.28 kg/l	1.13
11.0 lb / gal	1.32	1.15	1.32 kg/l	1.15
12.0 lb / gal	1.44	1.20	1.44 kg/l	1.20
14.0 lb / gal	1.68	1.30	1.68 kg/l	1.30

NOTE: CONVERSION FACTORS MUST BE USED WHEN SPRAYING SOLUTIONS HEAVIER OR LIGHTER THAN WATER. FIRST, MULTIPLY DESIRED APPLICATION RATE BY THE APPROPRIATE CONVERSION FACTOR ABOVE. THEN, USE THE NEW APPLICATION RATE TO SELECT THE MOST APPROPRIATE TIP CAPACITY AND OPERATING PRESSURE FROM THE APPLICATION CHART ON THIS PAGE