

HOW TO ORDER:

533EC-2F50-PN AB

MANIFOLD SIZE	
PART CODE	DESCRIPTION
1	1-SECTION MANIFOLD
2	2-SECTION MANIFOLD
3	3-SECTION MANIFOLD
4	4-SECTION MANIFOLD
5	5-SECTION MANIFOLD
6	6-SECTION MANIFOLD
7	7-SECTION MANIFOLD
8	8-SECTION MANIFOLD
9	9-SECTION MANIFOLD
10	10-SECTION MANIFOLD
11	11-SECTION MANIFOLD
12	12-SECTION MANIFOLD
13	13-SECTION MANIFOLD
14	14-SECTION MANIFOLD
15	15-SECTION MANIFOLD

VALVE TYPE	
PART CODE	DESCRIPTION
2	2-WAY VALVE
3	3-WAY VALVE

INLET FITTINGS	
PART CODE	DESCRIPTION
BLANK	LARGE QUICK CONNECT
F50	50-SERIES FLANGE
F75	75-SERIES FLANGE

ACTUATOR TYPE		
PART CODE	SWITCH	DESCRIPTION
E	DPDT	ELECTRIC SHUT-OFF VALVE
EC	SPST	ELECTRIC SHUT-OFF VALVE
M	MANUAL	MANUAL SHUT-OFF VALVE

WIRING CONNECTORS
 SPECIFY ELECTRICAL CONNECTOR STYLE AND PIN-OUTS. IF NO CONNECTOR IS NEEDED LEAVE BLANK. (REFER TO CATALOG FOR MORE DETAILS)

MOTOR WIRING	
PART CODE	DESCRIPTION
P	POSITIVELY SWITCHED W/O CABLE (METRIPACK CONNECTOR)
PN	NEGATIVELY SWITCHED W/O CABLE (METRIPACK CONNECTOR)
D	POSITIVELY SWITCHED w/ DIN CONNECTOR
DN	NEGATIVELY SWITCHED w/ DIN CONNECTOR

530 SERIES MANIFOLDS

The 530EC shutoff manifold provides a compact boom shutoff solution that is ideal for lower flow rate applications including smaller sprayers and sprayers equipped with a large number of boom sections. A choice of electrical, gear driven actuation or manual actuation provides flexibility in control, while still having a common mounting footprint and flow performance. The plunger valve design provides exceptional closing force for positive shutoff and sealing. When working with abrasive solutions, the plunger and seat can also provide improved wear-life as compared to other valve designs. Additionally, the side inlet and bottom outlet configuration provides for a clean, and compact installation.



530 ELECTRIC 2-WAY VALVE



530 ELECTRIC 3-WAY VALVE



530 MANUAL 2-WAY VALVE

530 Electric Features

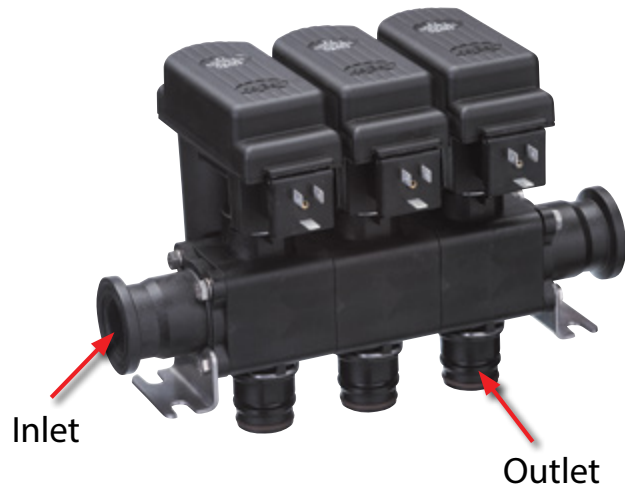
- Easy installation
- Choice of MINI-DIN or Metri-Pack connector
- Stainless steel stem provides excellent durability and chemical resistance
- Choice of flange or quick connect inlets
- Quick release motor head allows for field inspection
- Choice of two-way or three-way configuration
- On 3-way versions regulated bypass features significantly improves pressure stability with positive displacement pumps

530 Manual Features

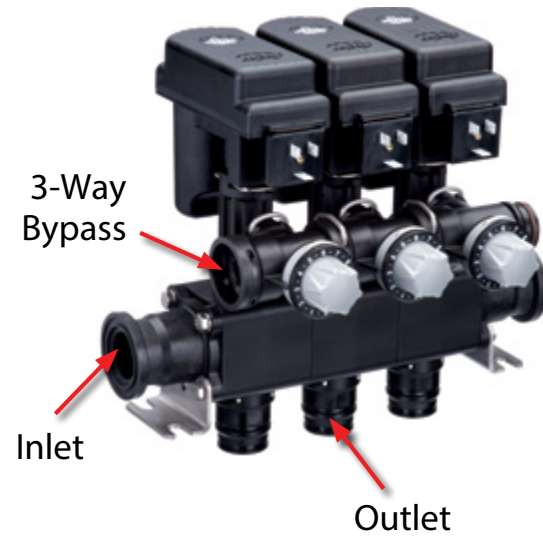
- Easy installation
- Ergonomic handle design
- Quick release handle allows for field inspection
- Stainless steel stem provides excellent durability and chemical resistance
- Upgradable to electric version by replacing handle assembly with motor assembly



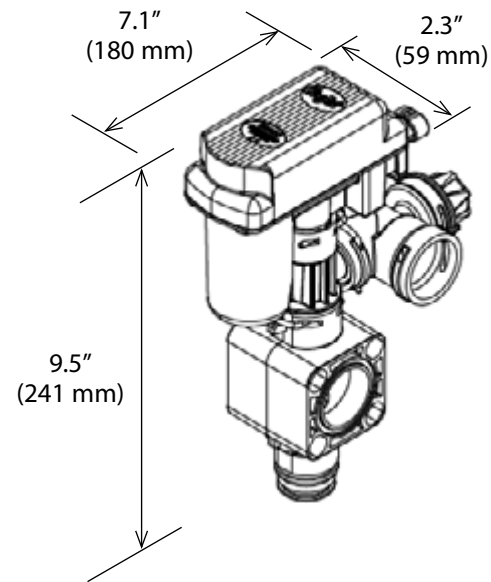
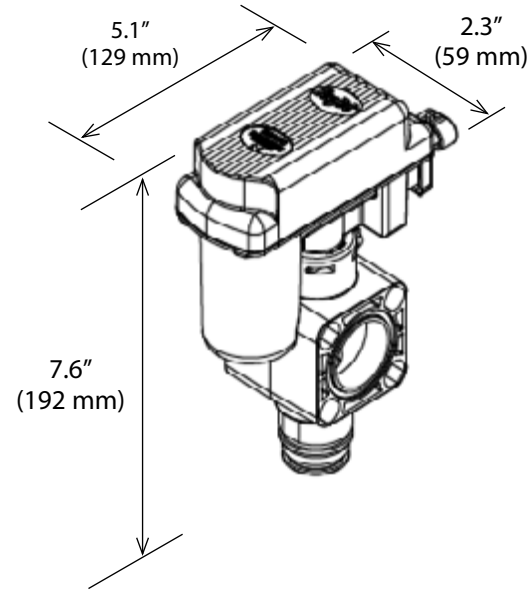
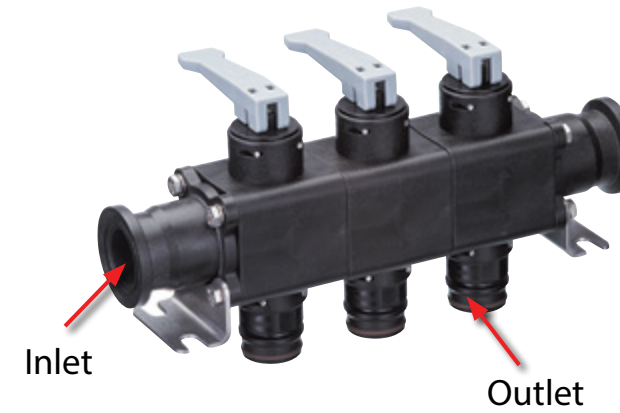
530 2-Way Electric Valve



530 3-Way Electric Valve



530 2-Way Manual Valve

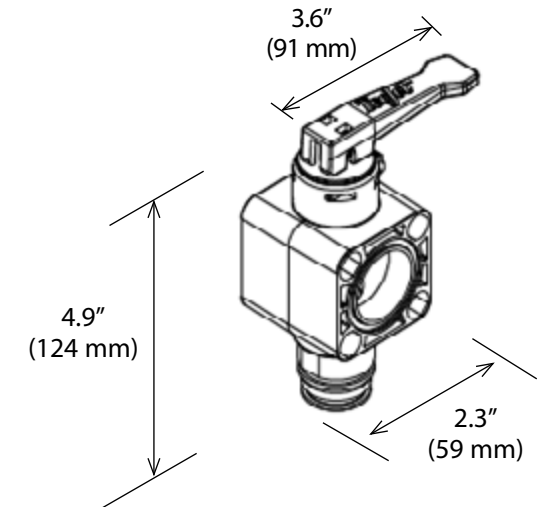


530 Electric Valve Specifications:

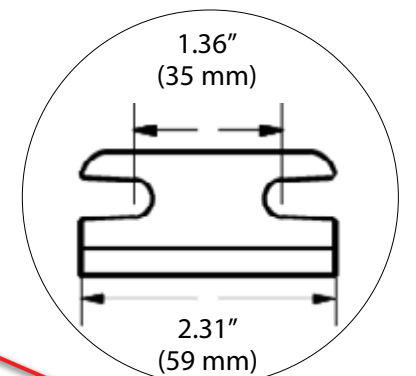
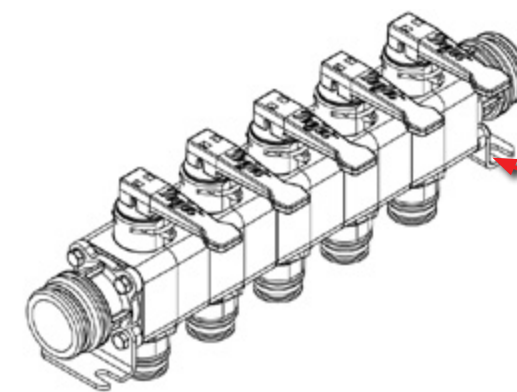
- Fast 0.7-sec response time
- Low current draw of 0.5 A (12VDC)
- Stainless steel mounting brackets
- Quick release motor head for easy inspection and repair
- Motor head sealed and IP67 rated
- 10 GPM (37.9 l/min) flow capacity at 5 PSI (0.34 bar) pressure drop
- 14 GPM (53 l/min) flow capacity at 10 PSI (0.68 bar) pressure drop
- 290 PSI (20 bar) pressure rating for large Quick Connect, threaded and 50-Series flanged connection, 215 PSI (15 bar) for 75-Series flanged connections
- Nylon, Polypropylene and Stainless Steel construction

530 Manual Valve Specifications:

- 10 GPM (37.9 l/min) flow capacity at 5 PSI (0.34 bar) pressure drop
- 14 GPM (53 l/min) flow capacity at 10 PSI (0.68 bar) pressure drop
- 290 PSI (20 bar) pressure rating for large Quick Connect, threaded and 50-Series flanged connection, 215 PSI (15 bar) for 75-Series flanged connections
- Nylon, Polypropylene and Stainless Steel construction



535M-2: 5 Section Manifold



530 Mounting Bracket